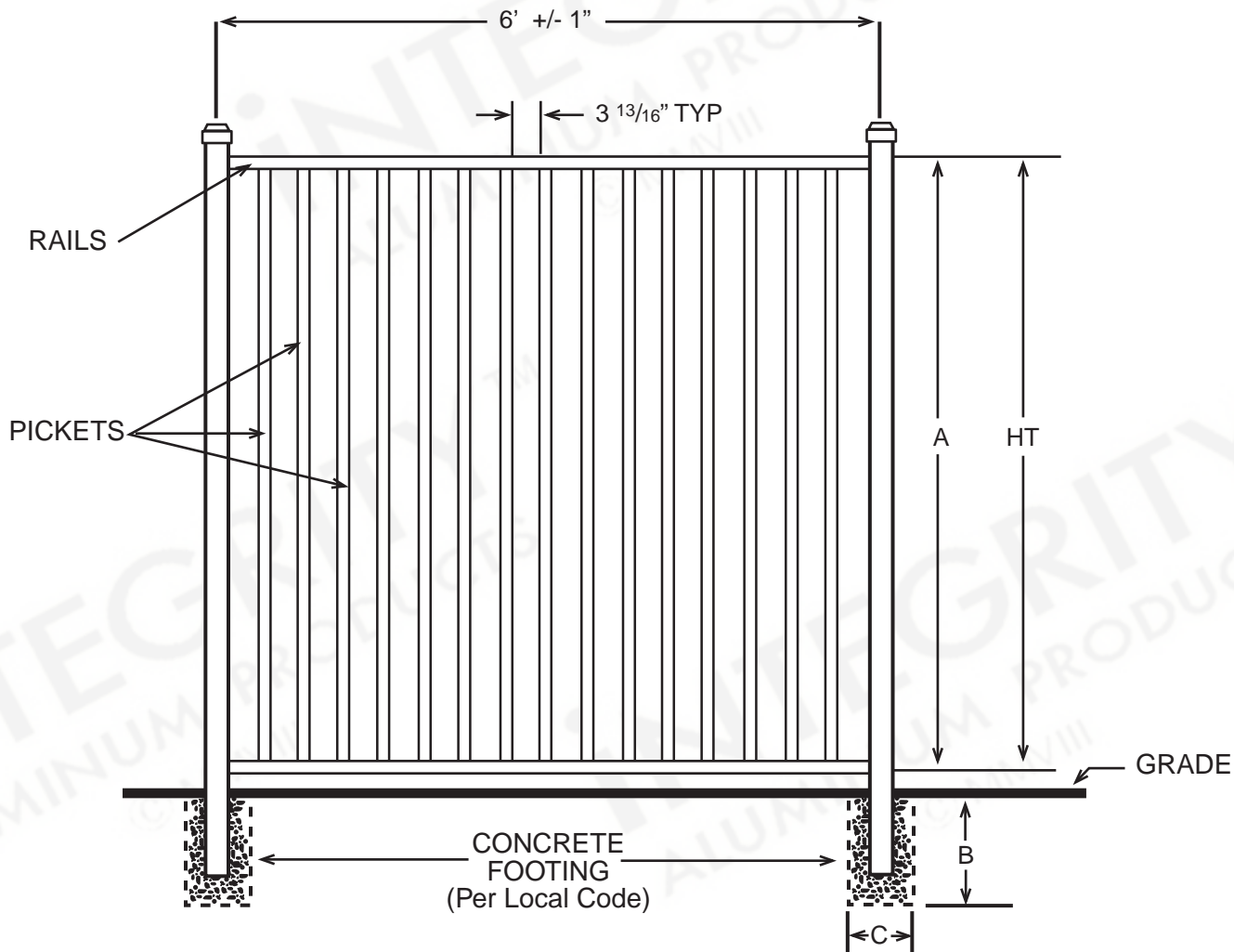


INTEGRITY™

ALUMINUM PRODUCTS

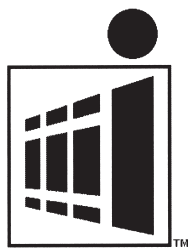
800.762.8876



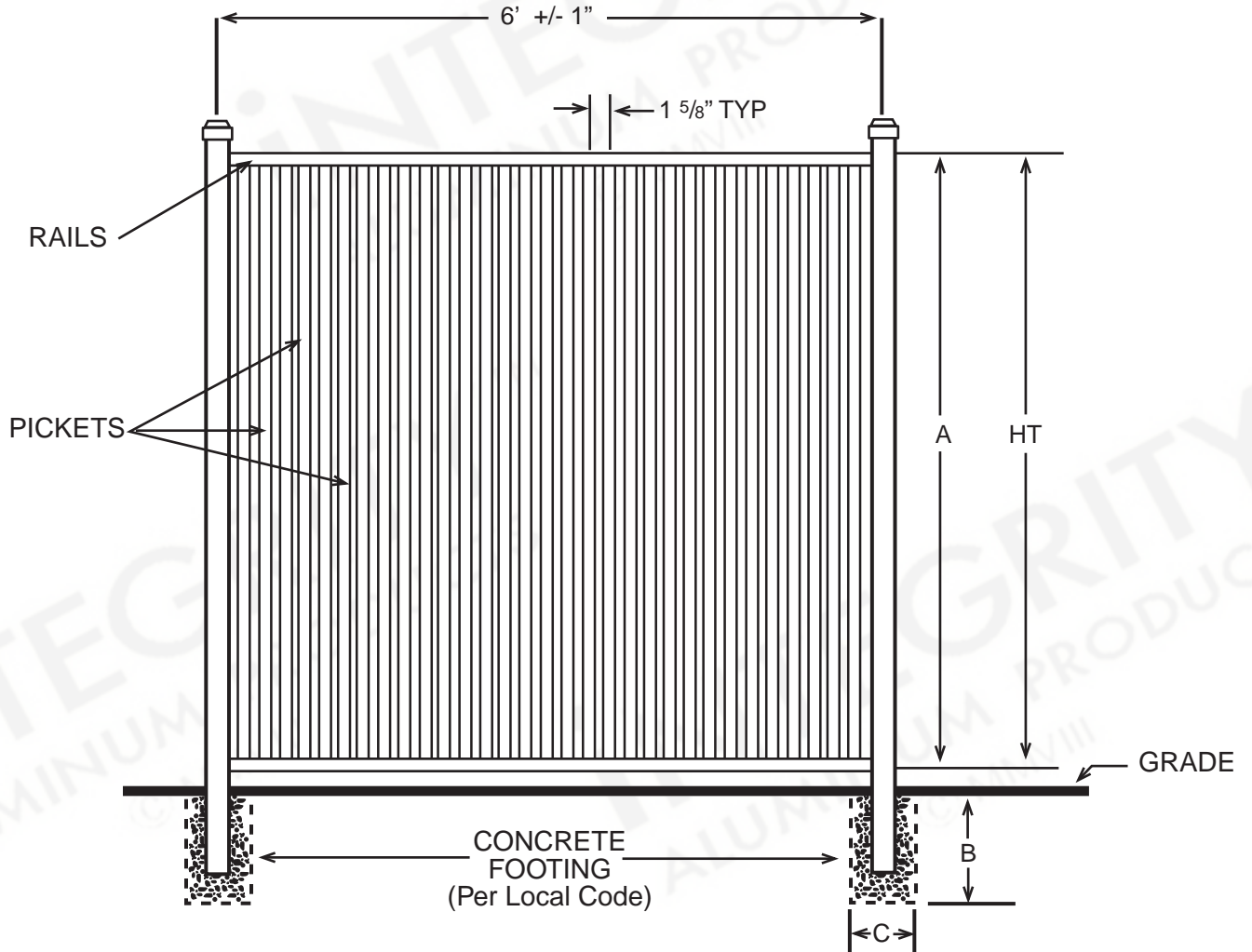
VENTURA™ RESORT

DIMENSIONS			
HT	A	B	C
3'	36"	Per Local Code	
3½'	42"	Per Local Code	
4'	48"	Per Local Code	
All Dimensions Are Nominal			

SPECIFICATIONS RESIDENTIAL	
Posts Available	2" x 2" x .060 Wall 2" x 2" x .080 Wall 2" x 2" x .125 Wall 2½" X 2½" X .100 Wall
Horizontal Rails Side Walls Top Walls	1⅛" x 1" .082" .062"
Pickets Picket Spacing	5⁄8" x 5⁄8" x .050 Wall 3 ¹³ ⁄16"
Heights Available	3, 3½ & 4 Ft.



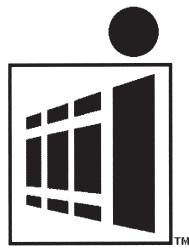
iNTEGRITY™
 ALUMINUM PRODUCTS
 800.762.8876



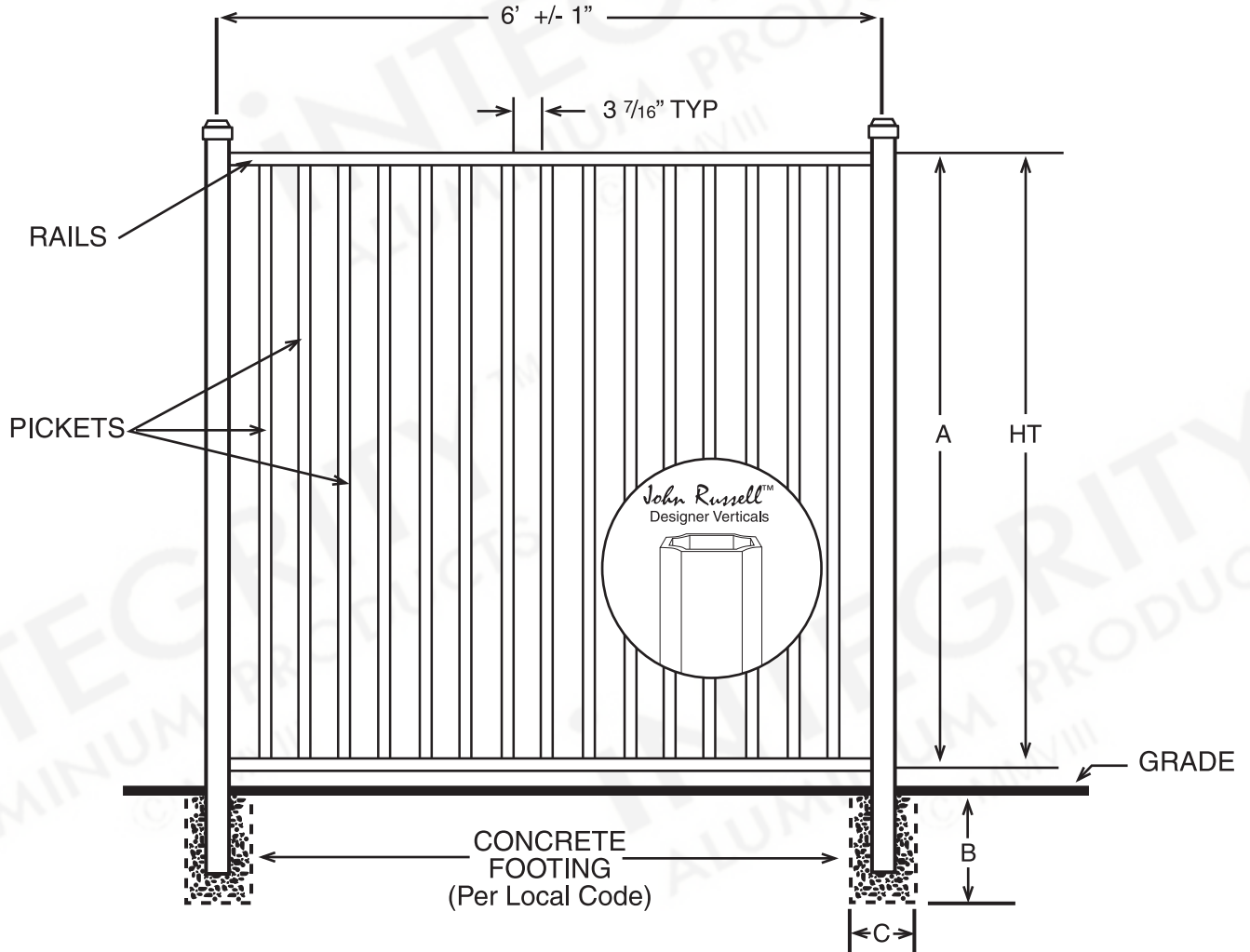
VENTURA™
 RESORT EXTREME

DIMENSIONS			
HT	A	B	C
3'	36"	Per Local Code	
3½'	42"	Per Local Code	
4'	48"	Per Local Code	
All Dimensions Are Nominal			

SPECIFICATIONS RESIDENTIAL	
Posts Available	2" x 2" x .060 Wall 2" x 2" x .080 Wall 2" x 2" x .125 Wall 2½" X 2½" X .100 Wall
Horizontal Rails Side Walls Top Walls	1⅛" x 1" .082" .062"
Pickets Picket Spacing	⅝" x ⅝" x .050 Wall 1⅝"
Heights Available	3, 3½ & 4 Ft.



iNTEGRITY™
ALUMINUM PRODUCTS
800.762.8876



VENTURA™
John Russell™ Designer Verticals

DIMENSIONS			
HT	A	B	C
3'	36"	Per Local Code	
3½'	42"	Per Local Code	
4'	48"	Per Local Code	
All Dimensions Are Nominal			

SPECIFICATIONS DESIGNER RESORT	
Posts Available	2" x 2" x .060 Wall 2" x 2" x .080 Wall 2" x 2" x .125 Wall 2½" X 2½" X .100 Wall
Horizontal Rails Side Walls Top Walls	1⅞" x 1" .082" .062"
Pickets Picket Spacing	1" x 5/8" x .062 Wall 3 7/16"
Heights Available	3, 3½ & 4 Ft.