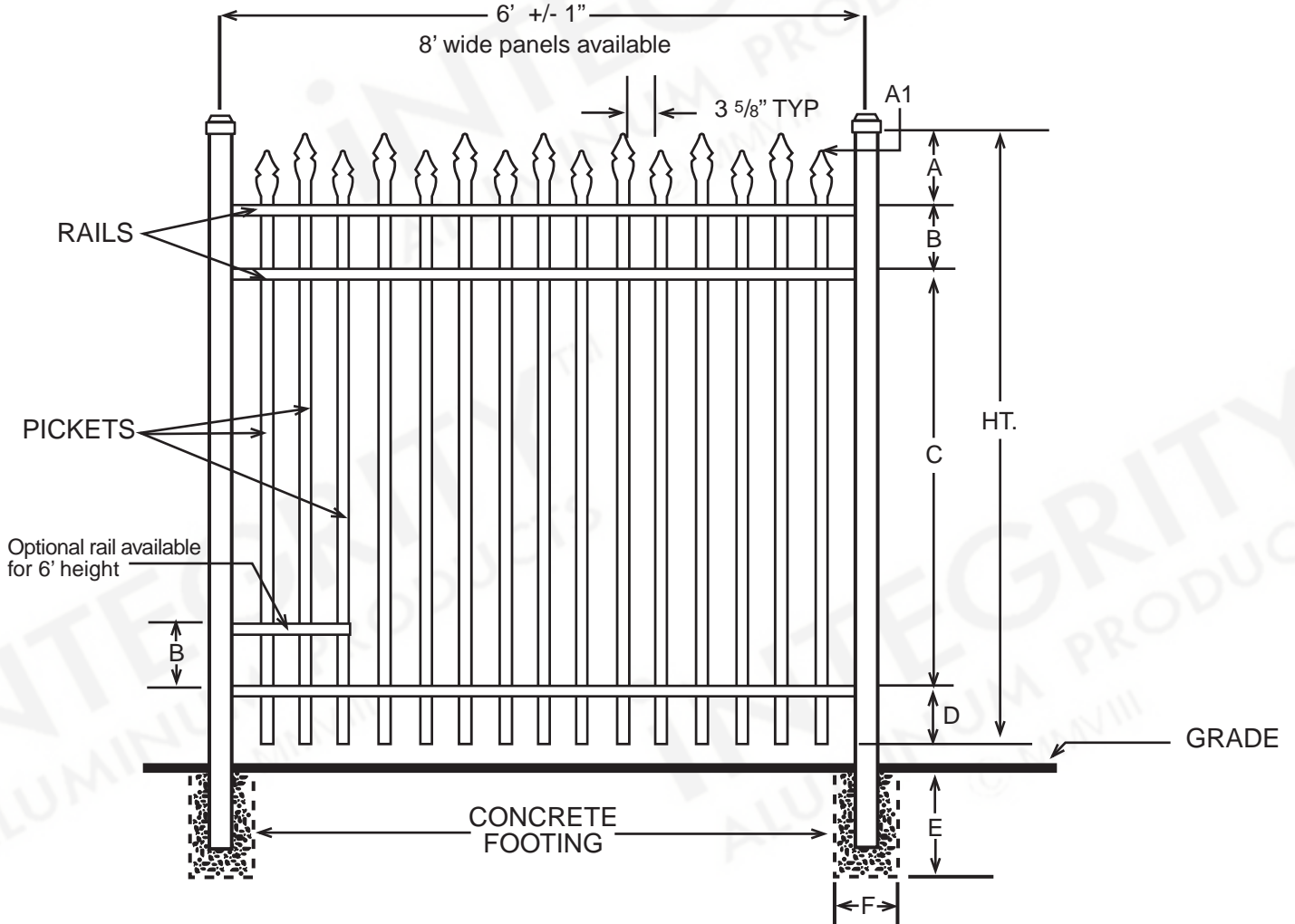


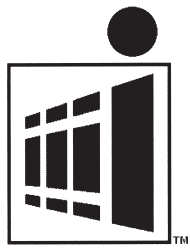
iNTEGRITY™
ALUMINUM PRODUCTS
800.762.8876



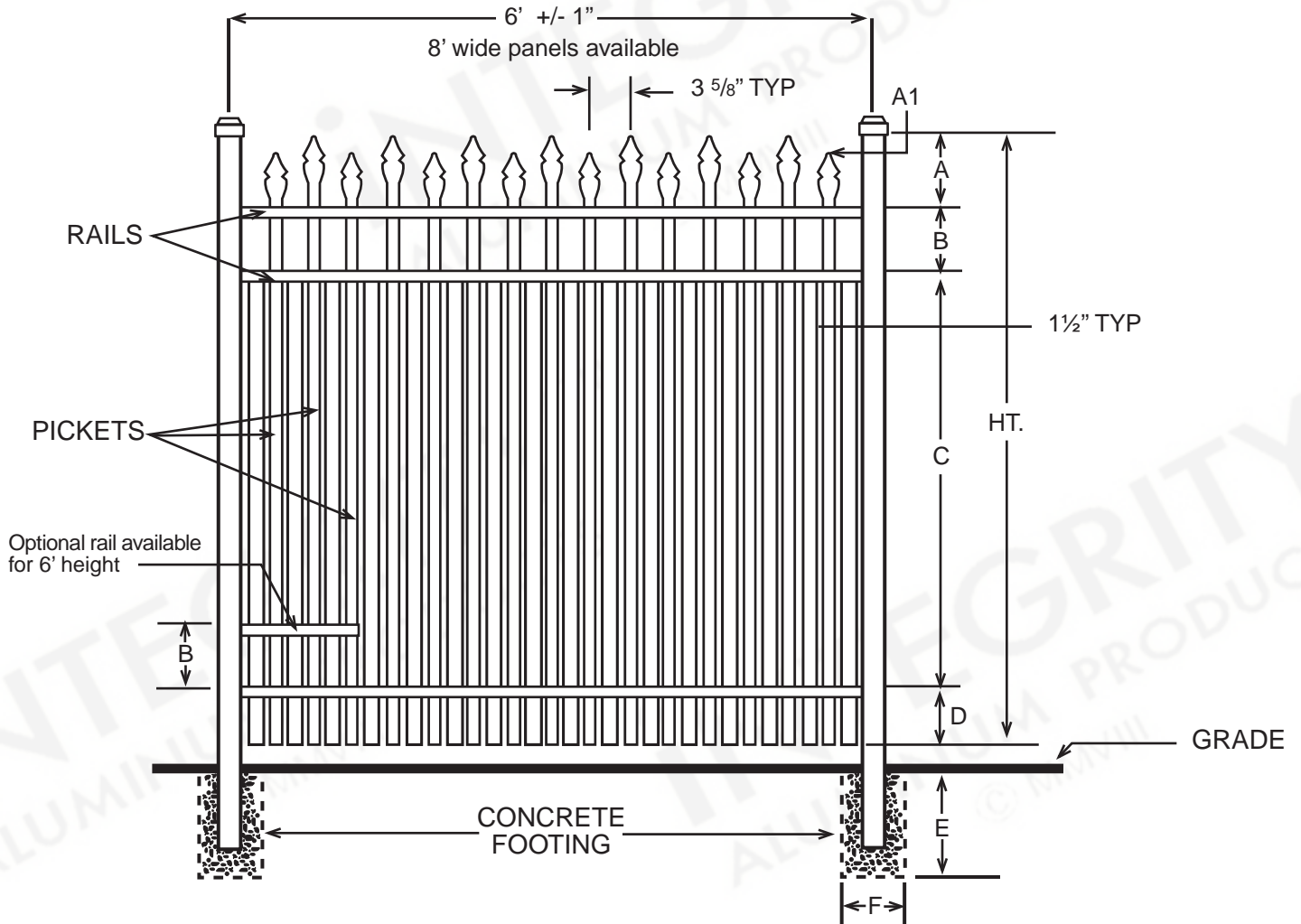
BELLA TERRA™
PREMIER

| DIMENSIONS | | | | | | | |
|----------------------------|-----|-----|----|-----|-----|----------------|---|
| HT | A | A1 | B | C | D | E | F |
| 3' | 4½" | 1½" | 6" | 20" | 5½" | Per Local Code | |
| 3½' | 4½" | 1½" | 6" | 26" | 5½" | Per Local Code | |
| 4' | 4½" | 1½" | 6" | 32" | 5½" | Per Local Code | |
| 5' | 4½" | 1½" | 6" | 44" | 5½" | Per Local Code | |
| 6' | 4½" | 1½" | 6" | 56" | 5½" | Per Local Code | |
| All Dimensions Are Nominal | | | | | | | |

| SPECIFICATIONS COMMERCIAL PREMIER | |
|---|--|
| Posts Available | 2" x 2" x .080 Wall 2" x 2" x .125 Wall 2½" X 2½" X .100 Wall 3" x 3" x .125 Wall |
| Horizontal Rails Side Walls Top Walls | 1⅜" x 1¼" .088" .065" |
| Pickets Picket Spacing | ¾" x ¾" x .055 Wall 3⅝" |
| Heights Available | 3, 3½, 4, 5 & 6 Ft. |
| Widths Available | 6 & 8 Ft. |



INTEGRITYTM
ALUMINUM PRODUCTS
800.762.8876

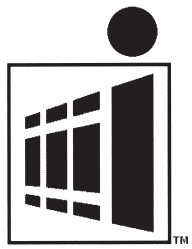


BELLA TERRATM PREMIER EXTREME

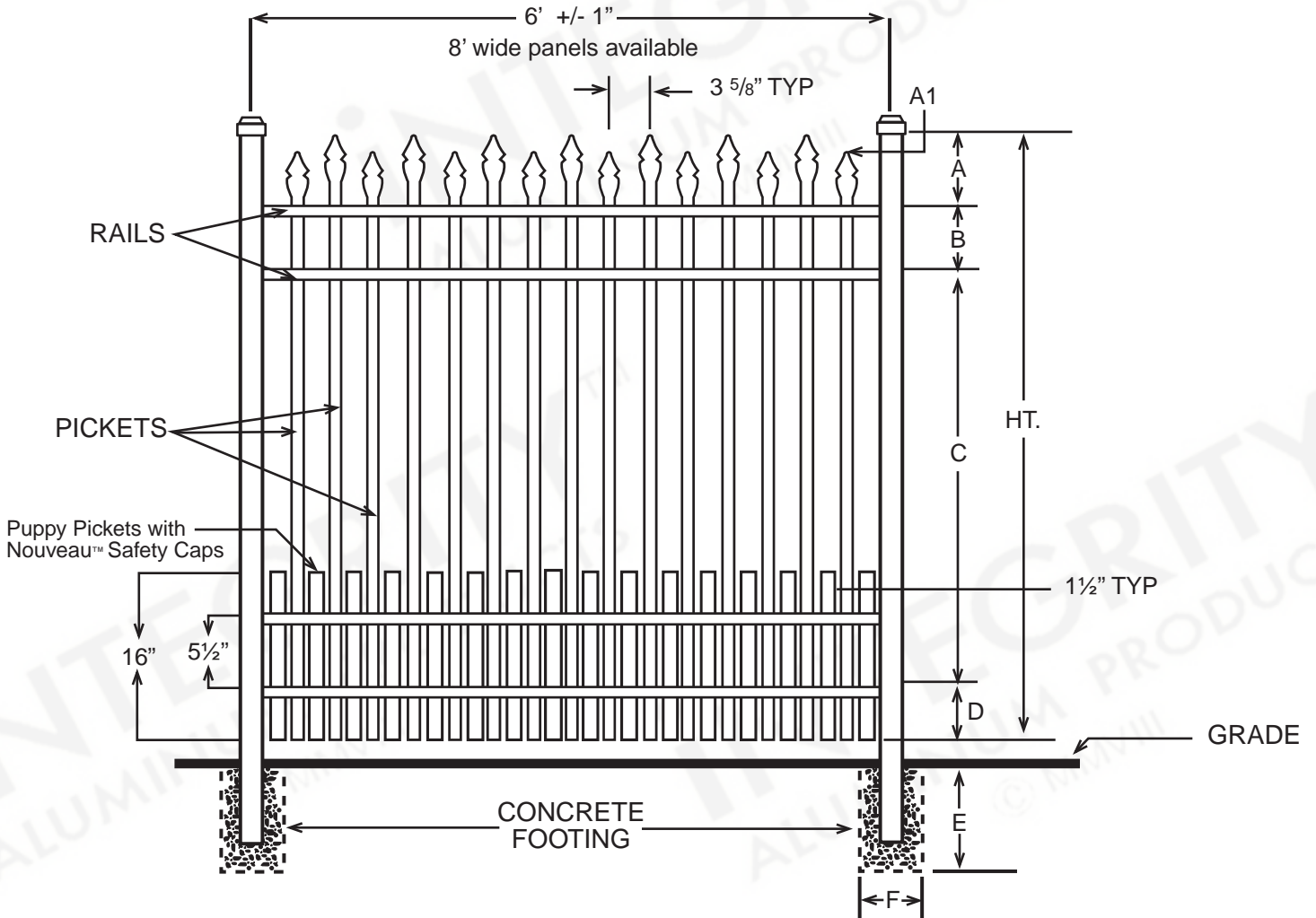
| DIMENSIONS | | | | | | | |
|----------------------------|-----|-----|----|-----|-----|----------------|---|
| HT | A | A1 | B | C | D | E | F |
| 3' | 4½" | 1½" | 6" | 20" | 5½" | Per Local Code | |
| 3½' | 4½" | 1½" | 6" | 26" | 5½" | Per Local Code | |
| 4' | 4½" | 1½" | 6" | 32" | 5½" | Per Local Code | |
| 5' | 4½" | 1½" | 6" | 44" | 5½" | Per Local Code | |
| 6' | 4½" | 1½" | 6" | 56" | 5½" | Per Local Code | |
| All Dimensions Are Nominal | | | | | | | |

SPECIFICATIONS COMMERCIAL PREMIER

| | |
|---|--|
| Posts Available | 2" x 2" x .080 Wall 2" x 2" x .125 Wall 2½" X 2½" X .100 Wall 3" x 3" x .125 Wall |
| Horizontal Rails Side Walls Top Walls | 1⅜" x 1¼" .088" .065" |
| Pickets Picket Spacing | ¾" x ¾" x .055 Wall 1½" |
| Heights Available | 3, 3½, 4, 5 & 6 Ft. |
| Widths Available | 6 & 8 Ft. |



INTEGRITYTM
ALUMINUM PRODUCTS
800.762.8876



BELLA TERRATM PREMIER w/ PUPPY PICKETS

| DIMENSIONS | | | | | | | |
|----------------------------|--------|--------|----|-----|--------|----------------|---|
| HT | A | A1 | B | C | D | E | F |
| 3' | 4 1/2" | 1 1/2" | 6" | 20" | 5 1/2" | Per Local Code | |
| 3 1/2' | 4 1/2" | 1 1/2" | 6" | 26" | 5 1/2" | Per Local Code | |
| 4' | 4 1/2" | 1 1/2" | 6" | 32" | 5 1/2" | Per Local Code | |
| 5' | 4 1/2" | 1 1/2" | 6" | 44" | 5 1/2" | Per Local Code | |
| 6' | 4 1/2" | 1 1/2" | 6" | 56" | 5 1/2" | Per Local Code | |
| All Dimensions Are Nominal | | | | | | | |

| SPECIFICATIONS COMMERCIAL PREMIER | |
|---|--|
| Posts Available | 2" x 2" x .080 Wall 2" x 2" x .125 Wall 2 1/2" X 2 1/2" X .100 Wall 3" x 3" x .125 Wall |
| Horizontal Rails Side Walls Top Walls | 1 3/8" x 1 1/4" .088" .065" |
| Pickets Picket Spacing | 3/4" x 3/4" x .055 Wall 3 5/8" and 1 1/2" |
| Heights Available | 3, 3 1/2, 4, 5 & 6 Ft. |
| Widths Available | 6 & 8 Ft. |