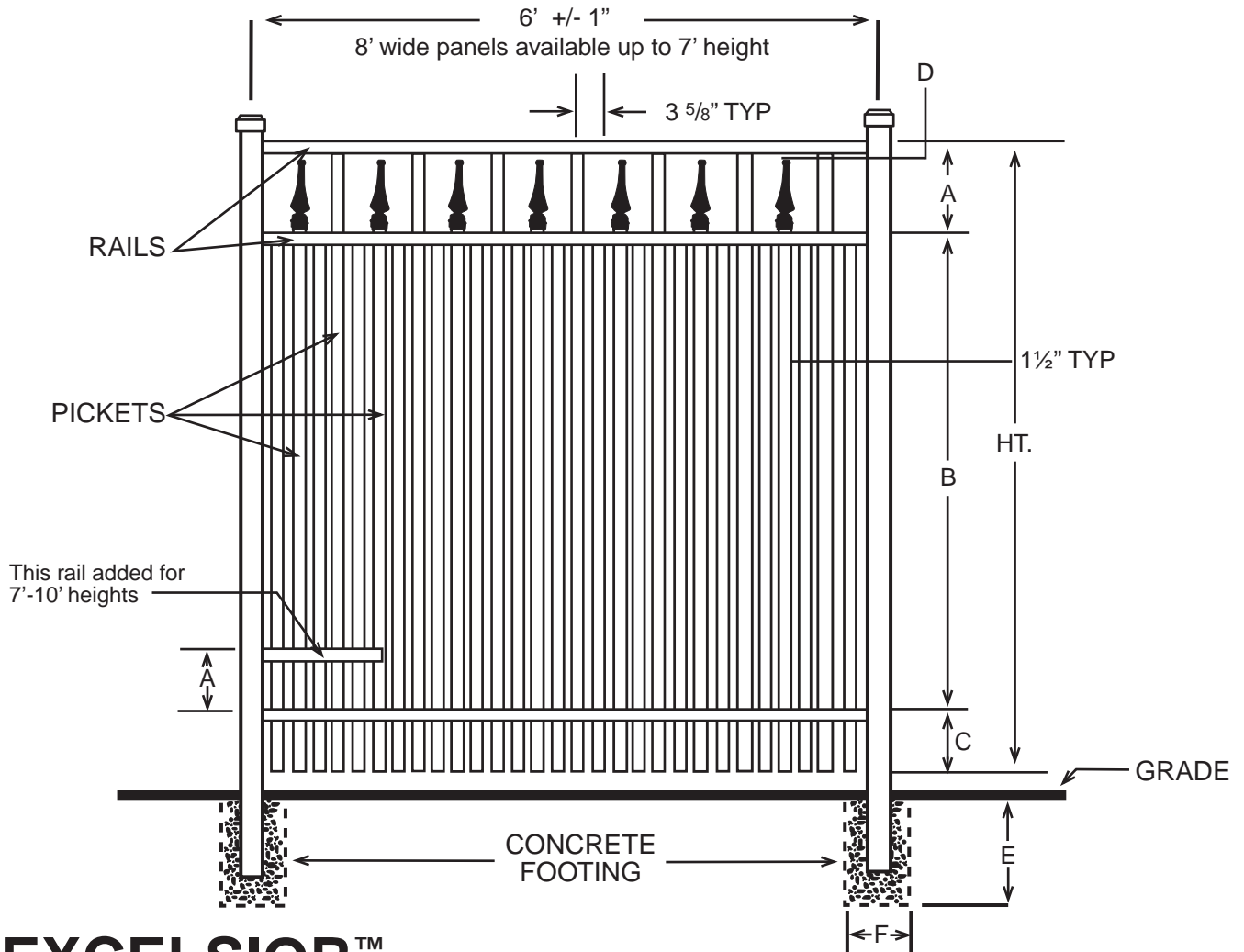


**INTEGRITY™**  
 ALUMINUM PRODUCTS  
 800.762.8876



**EXCELSIOR™**  
 ULTIMATE EXTREME

DIMENSIONS						
HT	A	B	C	D	E	F
3'	7 <sup>5</sup> / <sub>8</sub> "	20 <sup>3</sup> / <sub>4</sub> "	7 <sup>5</sup> / <sub>8</sub> "	3 <sup>1</sup> / <sub>8</sub> "	Per Local Code	
4'	7 <sup>5</sup> / <sub>8</sub> "	32 <sup>3</sup> / <sub>4</sub> "	7 <sup>5</sup> / <sub>8</sub> "	3 <sup>1</sup> / <sub>8</sub> "	Per Local Code	
5'	7 <sup>5</sup> / <sub>8</sub> "	44 <sup>3</sup> / <sub>4</sub> "	7 <sup>5</sup> / <sub>8</sub> "	3 <sup>1</sup> / <sub>8</sub> "	Per Local Code	
6'	7 <sup>5</sup> / <sub>8</sub> "	56 <sup>3</sup> / <sub>4</sub> "	7 <sup>5</sup> / <sub>8</sub> "	3 <sup>1</sup> / <sub>8</sub> "	Per Local Code	
7'	10 <sup>5</sup> / <sub>8</sub> "	62 <sup>3</sup> / <sub>4</sub> "	10 <sup>5</sup> / <sub>8</sub> "	4 <sup>1</sup> / <sub>8</sub> "	Per Local Code	
8'	10 <sup>5</sup> / <sub>8</sub> "	74 <sup>3</sup> / <sub>4</sub> "	10 <sup>5</sup> / <sub>8</sub> "	4 <sup>1</sup> / <sub>8</sub> "	Per Local Code	
9'	13 <sup>5</sup> / <sub>8</sub> "	80 <sup>3</sup> / <sub>4</sub> "	13 <sup>5</sup> / <sub>8</sub> "	4 <sup>5</sup> / <sub>8</sub> "	Per Local Code	
10'	13 <sup>5</sup> / <sub>8</sub> "	92 <sup>3</sup> / <sub>4</sub> "	13 <sup>5</sup> / <sub>8</sub> "	4 <sup>5</sup> / <sub>8</sub> "	Per Local Code	
All Dimensions Are Nominal						

SPECIFICATIONS COMMERCIAL ULTIMATE	
Posts Available	2 <sup>1</sup> / <sub>2</sub> " x 2 <sup>1</sup> / <sub>2</sub> " x .100 Wall 3" x 3" x .125 Wall 4" x 4" x .125 Wall
Horizontal Rails Side Walls Top Walls	1 <sup>5</sup> / <sub>8</sub> " x 1 <sup>5</sup> / <sub>8</sub> " .100" .070"
Pickets Picket Spacing	1" x 1" x .062 Wall 1 <sup>1</sup> / <sub>2</sub> "
Heights Available	3, 4, 5, 6, 7, 8, 9, & 10 Ft.
Widths Available	6 & 8 Ft.