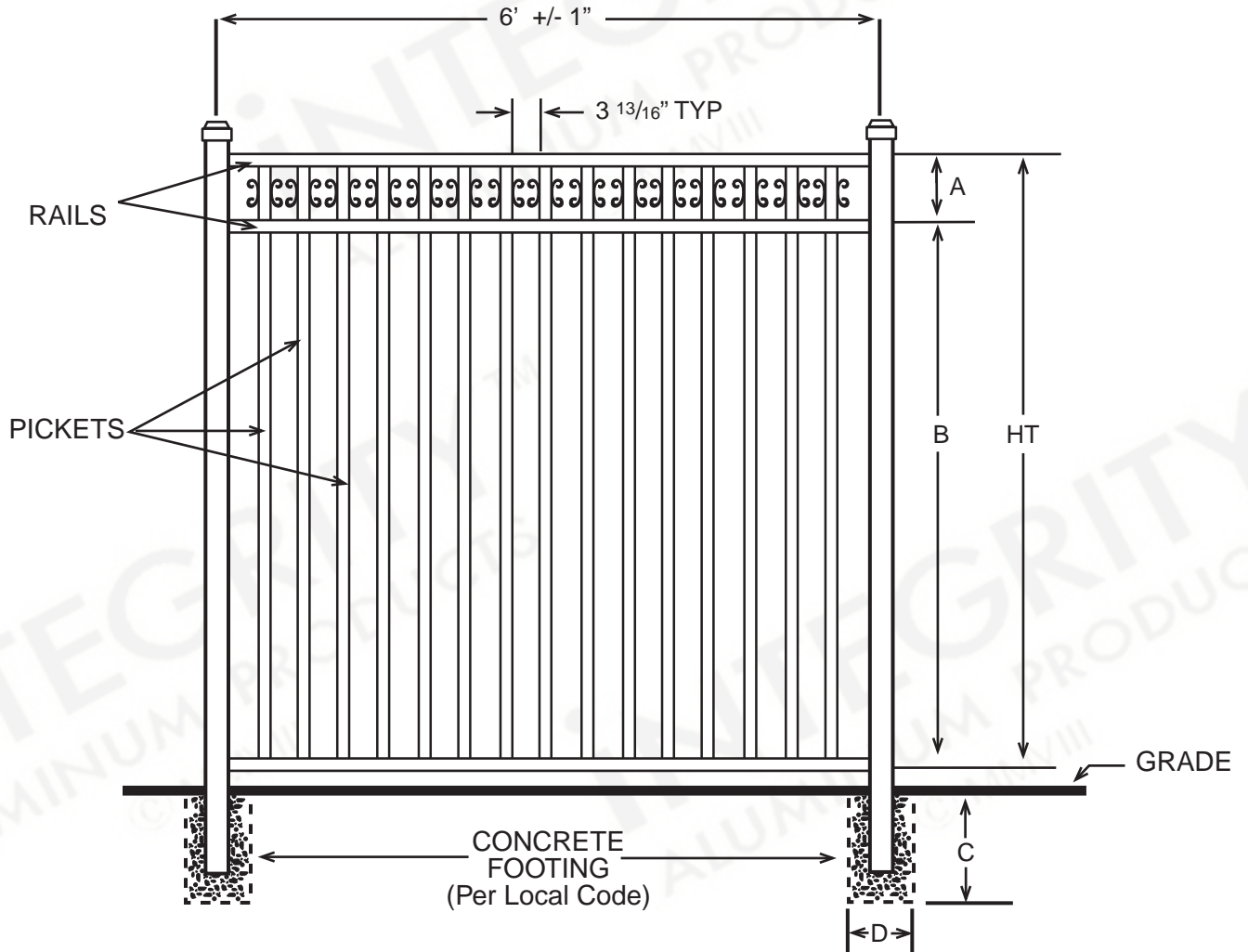


# INTEGRITY™

ALUMINUM PRODUCTS

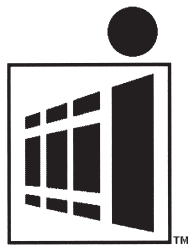
800.762.8876



## CAMARILLO™ RESORT

DIMENSIONS				
HT	A	B	C	D
3'	6"	30"	Per Local Code	
3½'	6"	36"	Per Local Code	
4'	6"	42"	Per Local Code	
4½'	6"	48"	Per Local Code	
5'	6"	54"	Per Local Code	
All Dimensions Are Nominal				

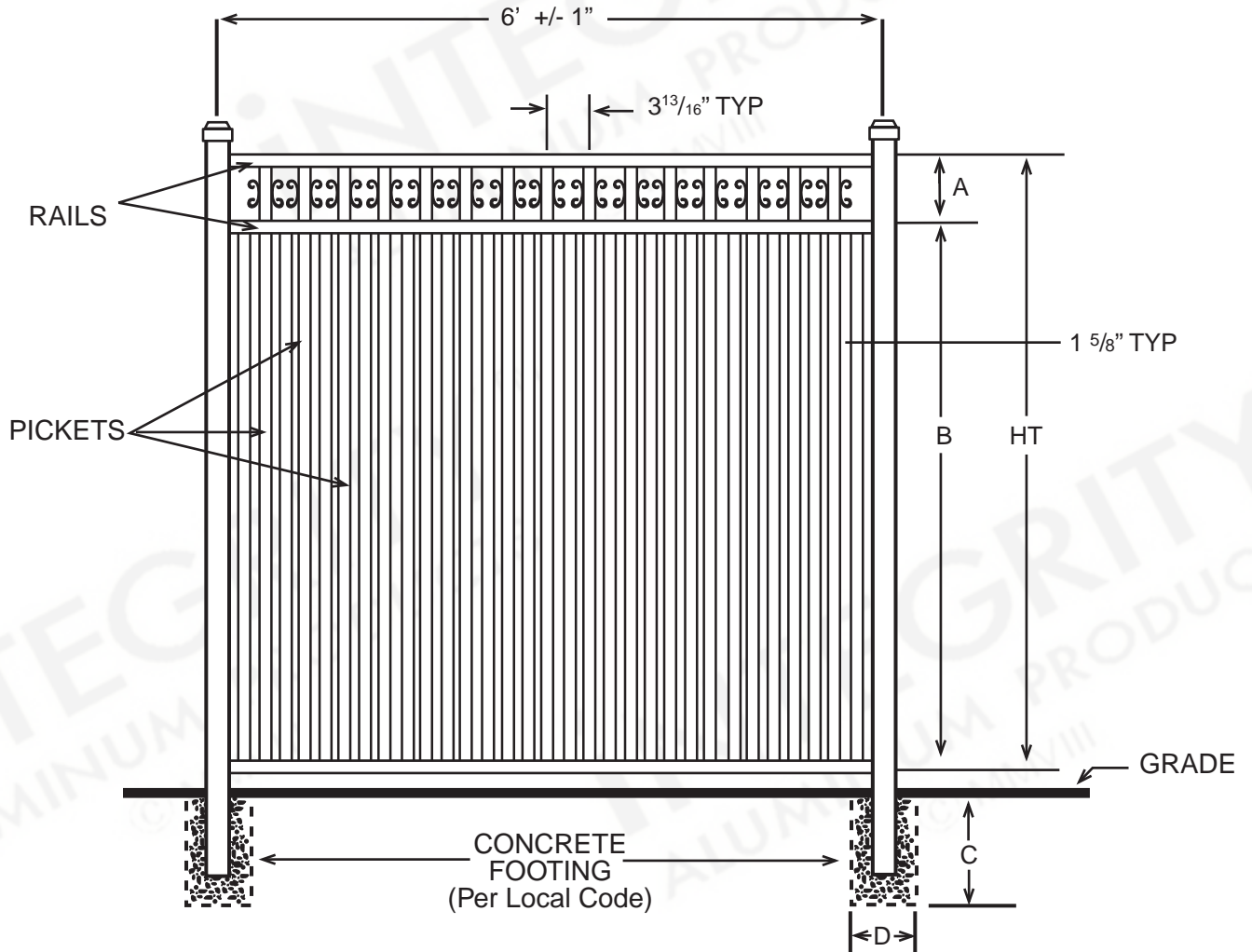
SPECIFICATIONS RESIDENTIAL	
Posts Available	2" x 2" x .060 Wall 2" x 2" x .080 Wall 2" x 2" x .125 Wall 2½" X 2½" X .100 Wall
Horizontal Rails Side Walls Top Walls	1⅛" x 1" .082" .062"
Pickets Picket Spacing	⅝" x ⅝" x .050 Wall 3 <sup>13/16</sup> "
Heights Available	3, 3½, 4, 4½ & 5 Ft.



# INTEGRITY™

## ALUMINUM PRODUCTS

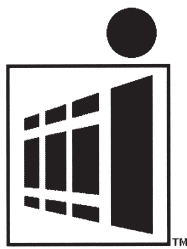
800.762.8876



## CAMARILLO™ RESORT EXTREME

DIMENSIONS				
HT	A	B	C	D
3'	6"	30"	Per Local Code	
3½'	6"	36"	Per Local Code	
4'	6"	42"	Per Local Code	
4½'	6"	48"	Per Local Code	
5'	6"	54"	Per Local Code	
All Dimensions Are Nominal				

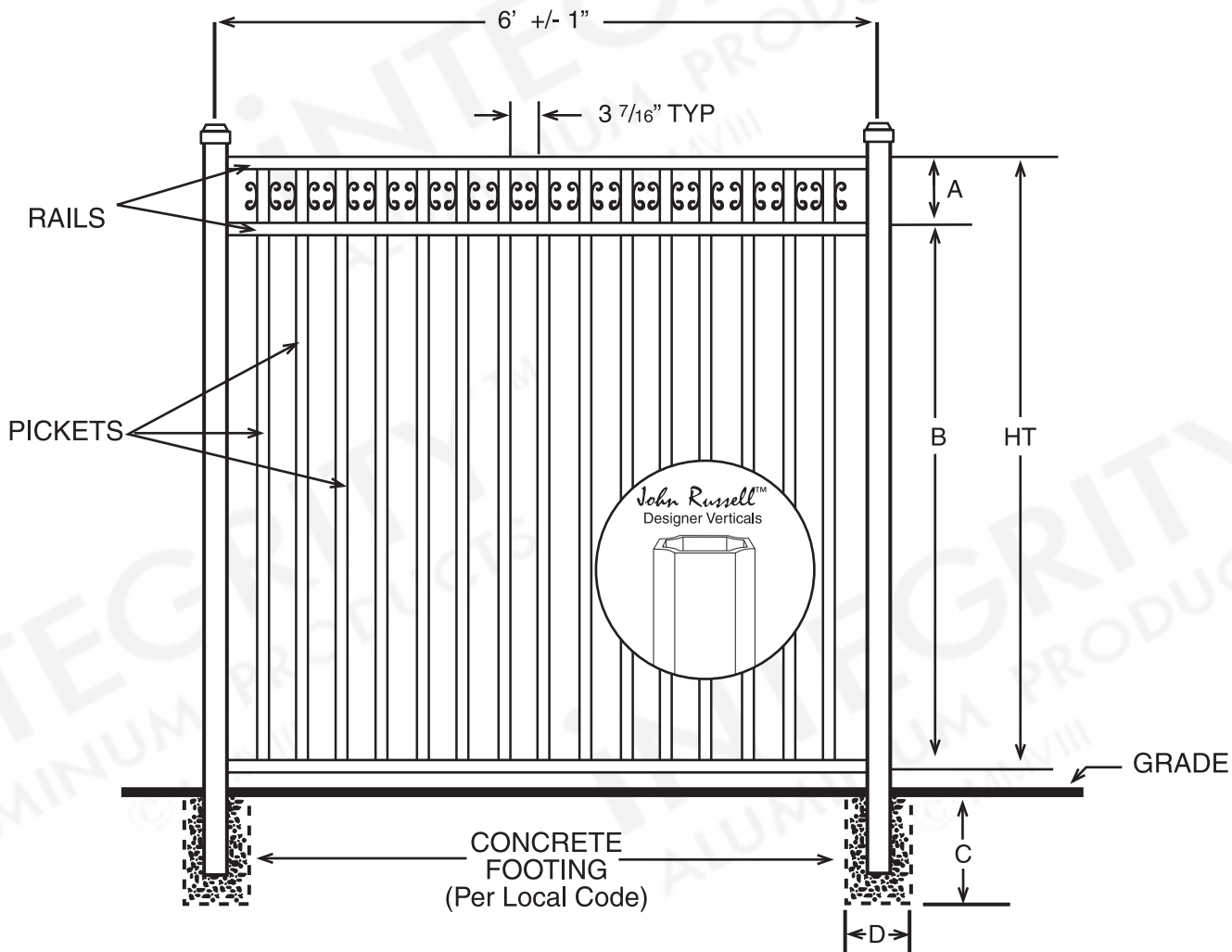
SPECIFICATIONS RESIDENTIAL	
Posts Available	2" x 2" x .060 Wall 2" x 2" x .080 Wall 2" x 2" x .125 Wall 2½" X 2½" X .100 Wall
Horizontal Rails Side Walls Top Walls	1⅛" x 1" .082" .062"
Pickets Picket Spacing	5⁄8" x 5⁄8" x .050 Wall 1⅝"
Heights Available	3, 3½, 4, 4½ & 5 Ft.



# INTEGRITY™

ALUMINUM PRODUCTS

800.762.8876



## CAMARILLO™

John Russell™ Designer Verticals

DIMENSIONS				
HT	A	B	C	D
3'	6"	30"	Per Local Code	
3½'	6"	36"	Per Local Code	
4'	6"	42"	Per Local Code	
4½'	6"	48"	Per Local Code	
5'	6"	54"	Per Local Code	
All Dimensions Are Nominal				

SPECIFICATIONS DESIGNER RESORT	
Posts Available	2" x 2" x .060 Wall 2" x 2" x .080 Wall 2" x 2" x .125 Wall 2½" X 2½" X .100 Wall
Horizontal Rails Side Walls Top Walls	1⅛" x 1" .082" .062"
Pickets Picket Spacing	1" x 5⁄8" x .062 Wall 3 7⁄16"
Heights Available	3, 3½, 4, 4½ & 5 Ft.