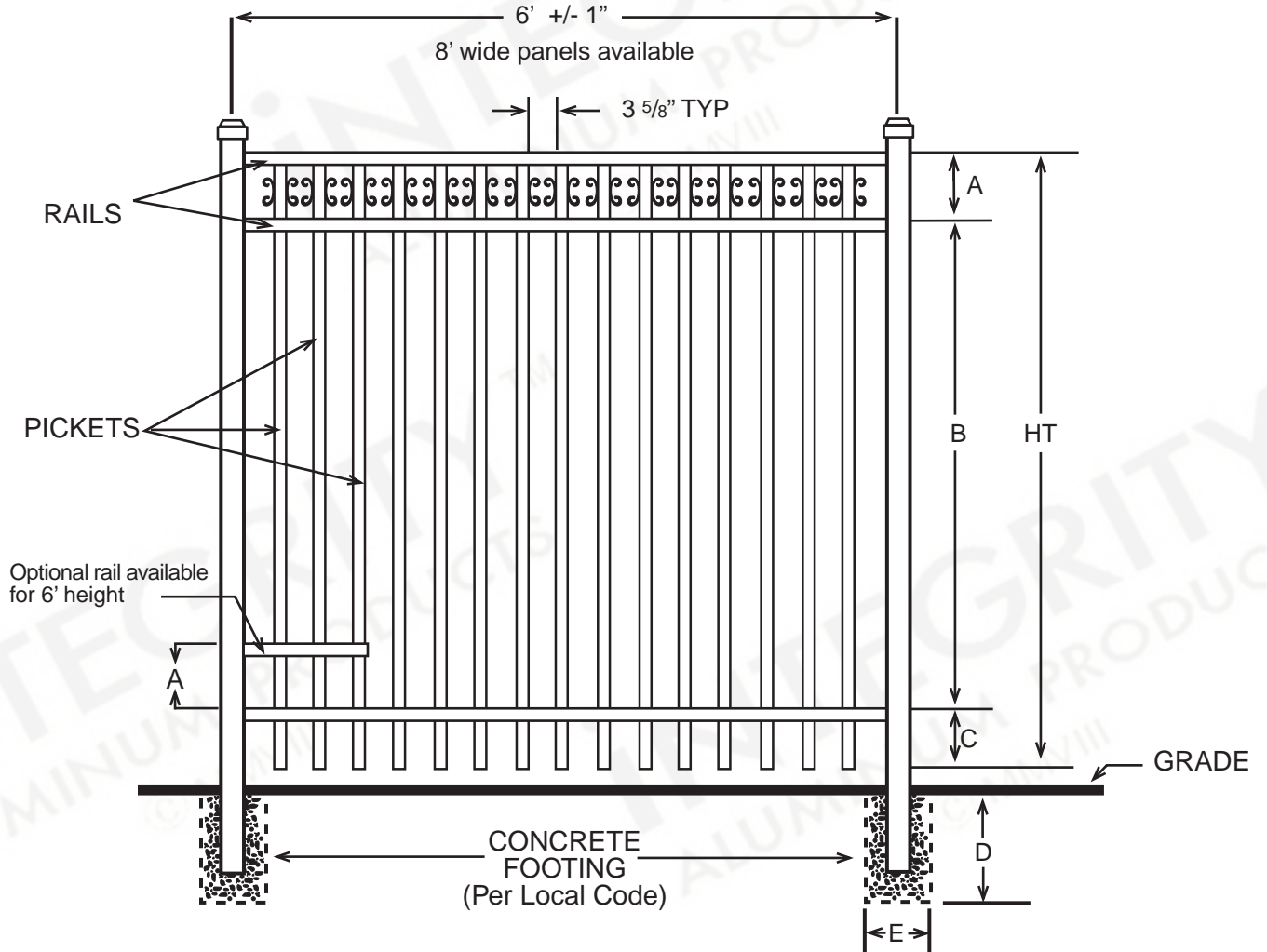


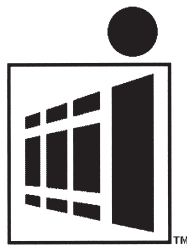
iINTEGRITY™
 ALUMINUM PRODUCTS
 800.762.8876



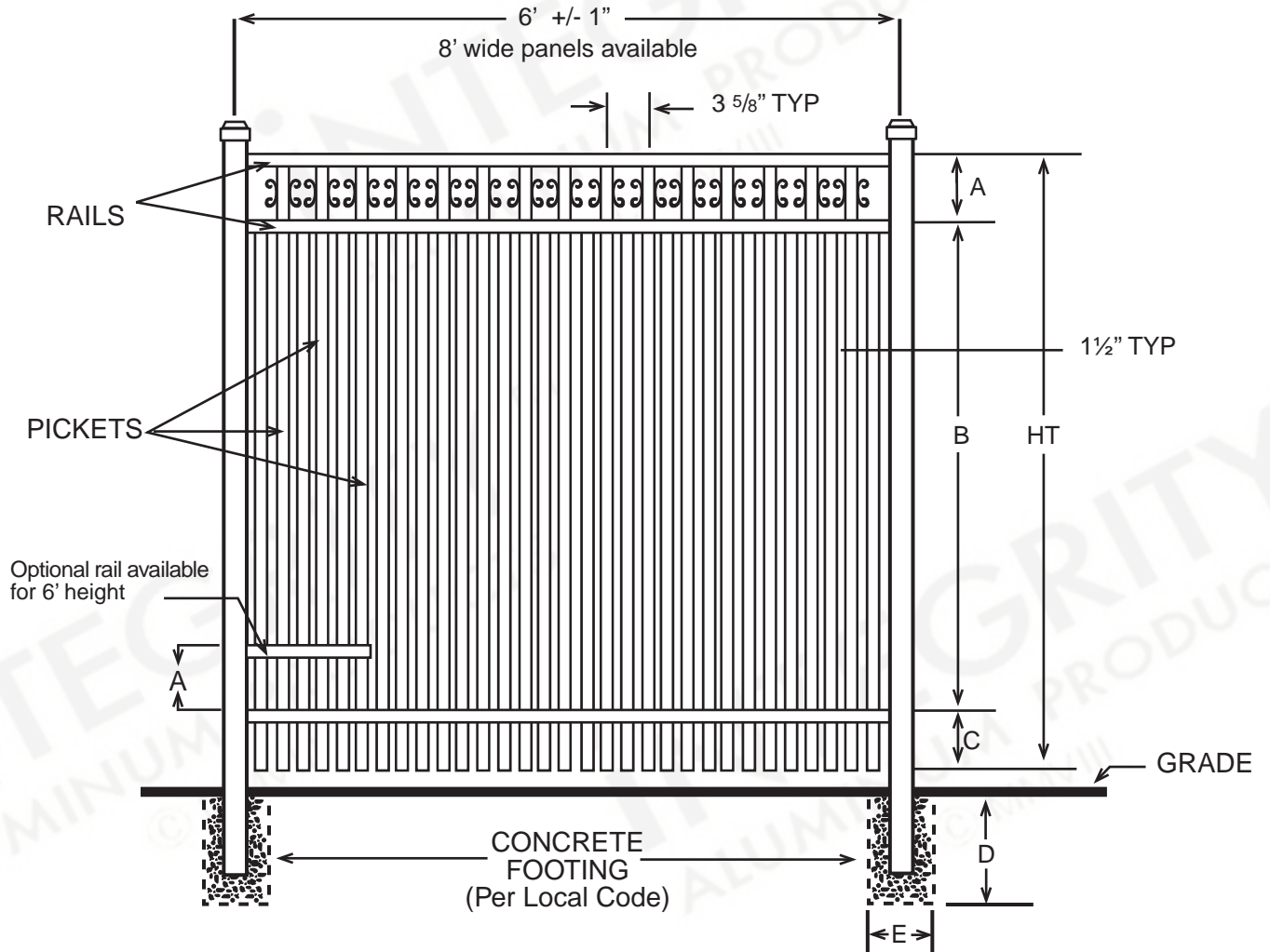
CAMARILLO™ PREMIER

DIMENSIONS					
HT	A	B	C	D	E
3'	6"	24½"	5½"	Per Local Code	
3½'	6"	30½"	5½"	Per Local Code	
4'	6"	36½"	5½"	Per Local Code	
5'	6"	48½"	5½"	Per Local Code	
6'	6"	60½"	5½"	Per Local Code	
All Dimensions Are Nominal					

SPECIFICATIONS COMMERCIAL PREMIER	
Posts Available	2" x 2" x .080 Wall 2" x 2" x .125 Wall 2½" X 2½" X .100 Wall 3" x 3" x .125 Wall
Horizontal Rails Side Walls Top Walls	1⅜" x 1¼" .088" .065"
Pickets Picket Spacing	¾" x ¾" x .055 Wall 3⅝"
Heights Available	3, 3½, 4, 5 & 6 Ft.
Widths Available	6 & 8 Ft.



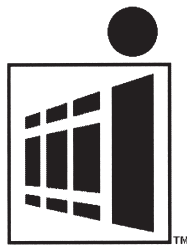
iNTEGRITY™
 ALUMINUM PRODUCTS
 800.762.8876



CAMARILLO™
 PREMIER EXTREME

DIMENSIONS					
HT	A	B	C	D	E
3'	6"	24½"	5½"	Per Local Code	
3½'	6"	30½"	5½"	Per Local Code	
4'	6"	36½"	5½"	Per Local Code	
5'	6"	48½"	5½"	Per Local Code	
6'	6"	60½"	5½"	Per Local Code	
All Dimensions Are Nominal					

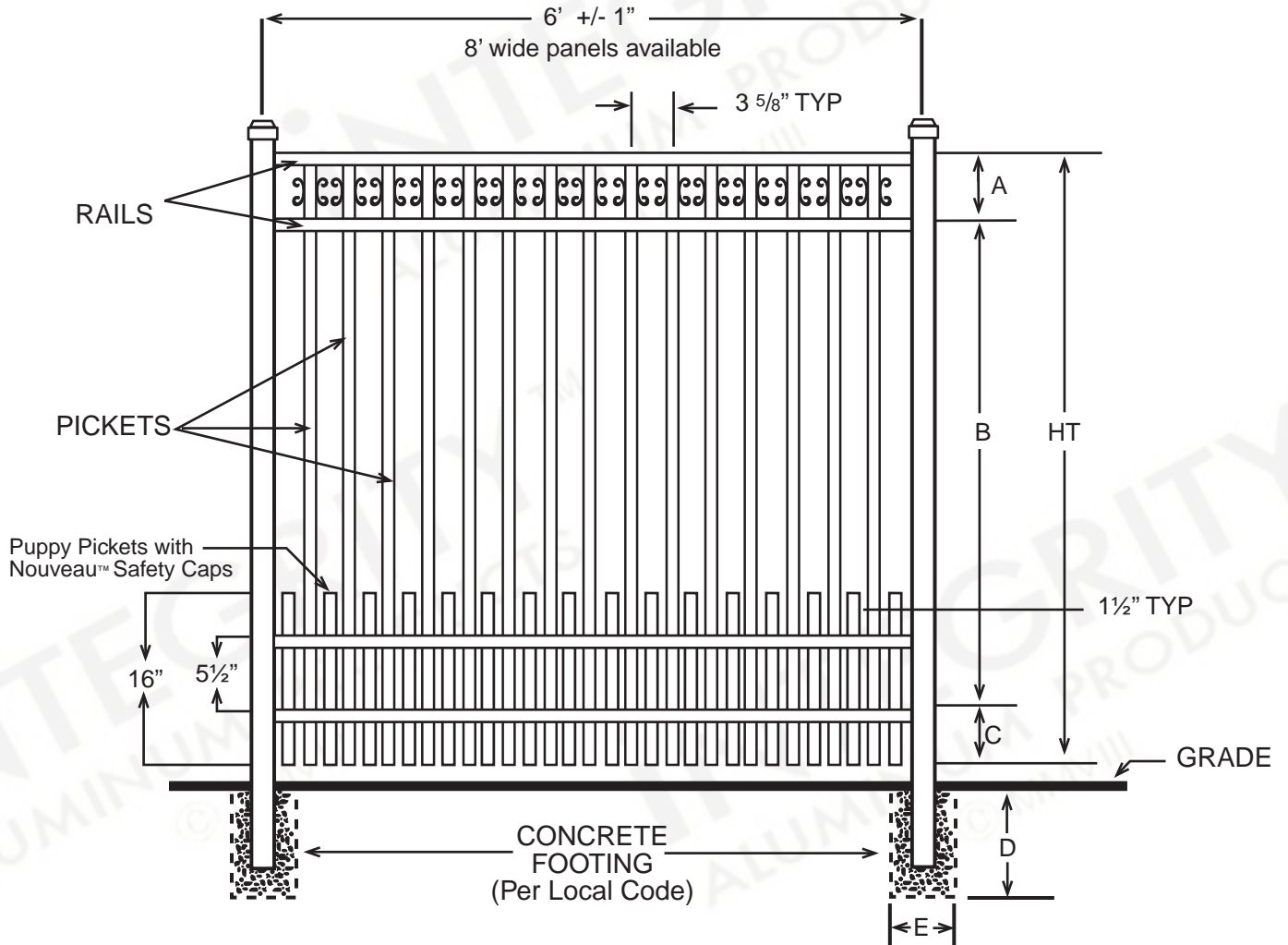
SPECIFICATIONS COMMERCIAL PREMIER	
Posts Available	2" x 2" x .080 Wall 2" x 2" x .125 Wall 2½" X 2½" X .100 Wall 3" x 3" x .125 Wall
Horizontal Rails Side Walls Top Walls	1⅜" x 1¼" .088" .065"
Pickets Picket Spacing	¾" x ¾" x .055 Wall 1½"
Heights Available	3, 3½, 4, 5 & 6 Ft.
Widths Available	6 & 8 Ft.



INTEGRITY™

ALUMINUM PRODUCTS

800.762.8876



CAMARILLO™ PREMIER w/ PUPPY PICKETS

DIMENSIONS					
HT	A	B	C	D	E
3'	6"	24½"	5½"	Per Local Code	
3½'	6"	30½"	5½"	Per Local Code	
4'	6"	36½"	5½"	Per Local Code	
5'	6"	48½"	5½"	Per Local Code	
6'	6"	60½"	5½"	Per Local Code	
All Dimensions Are Nominal					

SPECIFICATIONS COMMERCIAL PREMIER	
Posts Available	2" x 2" x .080 Wall 2" x 2" x .125 Wall 2½" X 2½" X .100 Wall 3" x 3" x .125 Wall
Horizontal Rails Side Walls Top Walls	1⅜" x 1¼" .088" .065"
Pickets Picket Spacing	¾" x ¾" x .055 Wall 3⅝" and 1½"
Heights Available	3, 3½, 4, 5 & 6 Ft.
Widths Available	6 & 8 Ft.