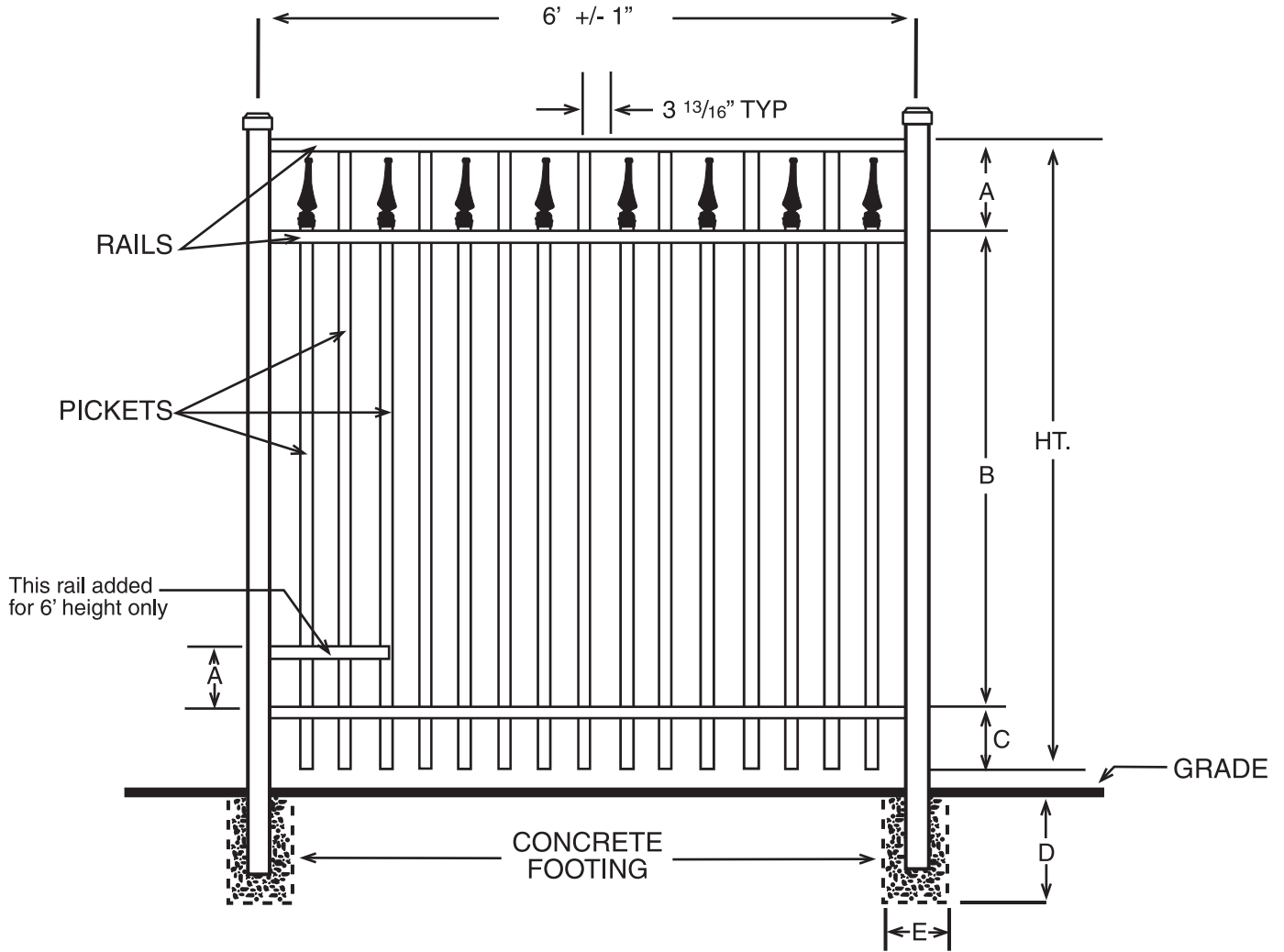


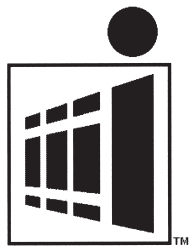
INTEGRITY™
 ALUMINUM PRODUCTS
 800.762.8876



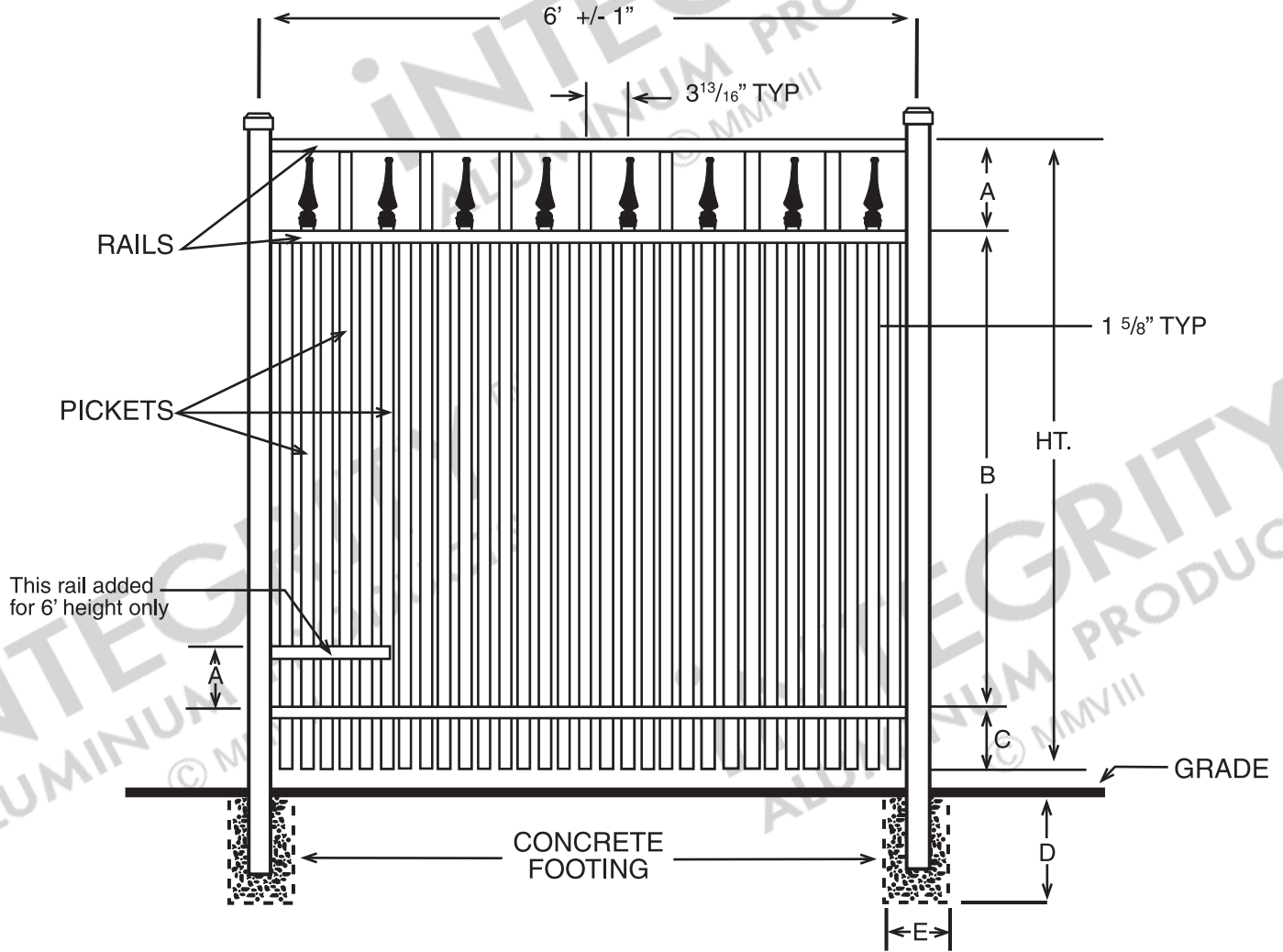
EXCELSIOR™ CLASSIC

| DIMENSIONS | | | | | |
|----------------------------|----|------|-----|----------------|---|
| HT | A | B | C | D | E |
| 3' | 6" | 24½" | 5½" | Per Local Code | |
| 3½' | 6" | 30½" | 5½" | Per Local Code | |
| 4' | 6" | 36½" | 5½" | Per Local Code | |
| 5' | 6" | 48½" | 5½" | Per Local Code | |
| 6' | 6" | 60½" | 5½" | Per Local Code | |
| All Dimensions Are Nominal | | | | | |

| SPECIFICATIONS RESIDENTIAL | |
|---|--|
| Posts Available | 2" x 2" x .060 Wall 2" x 2" x .080 Wall 2" x 2" x .125 Wall 2½" X 2½" X .100 Wall |
| Horizontal Rails Side Walls Top Walls | 1⅛" x 1" .082" .062" |
| Pickets Picket Spacing | ⅝" x ⅝" x .050 Wall 3⅓" |
| Heights Available | 3, 3½, 4, 5 & 6 Ft. |



INTEGRITY™
ALUMINUM PRODUCTS
800.762.8876

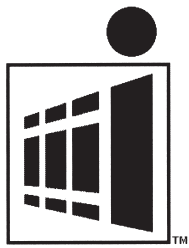


EXCELSIOR™ CLASSIC EXTREME

| DIMENSIONS | | | | | |
|----------------------------|----|------|-----|----------------|---|
| HT | A | B | C | D | E |
| 3' | 6" | 24½" | 5½" | Per Local Code | |
| 3½' | 6" | 30½" | 5½" | Per Local Code | |
| 4' | 6" | 36½" | 5½" | Per Local Code | |
| 5' | 6" | 48½" | 5½" | Per Local Code | |
| 6' | 6" | 60½" | 5½" | Per Local Code | |
| All Dimensions Are Nominal | | | | | |

SPECIFICATIONS RESIDENTIAL

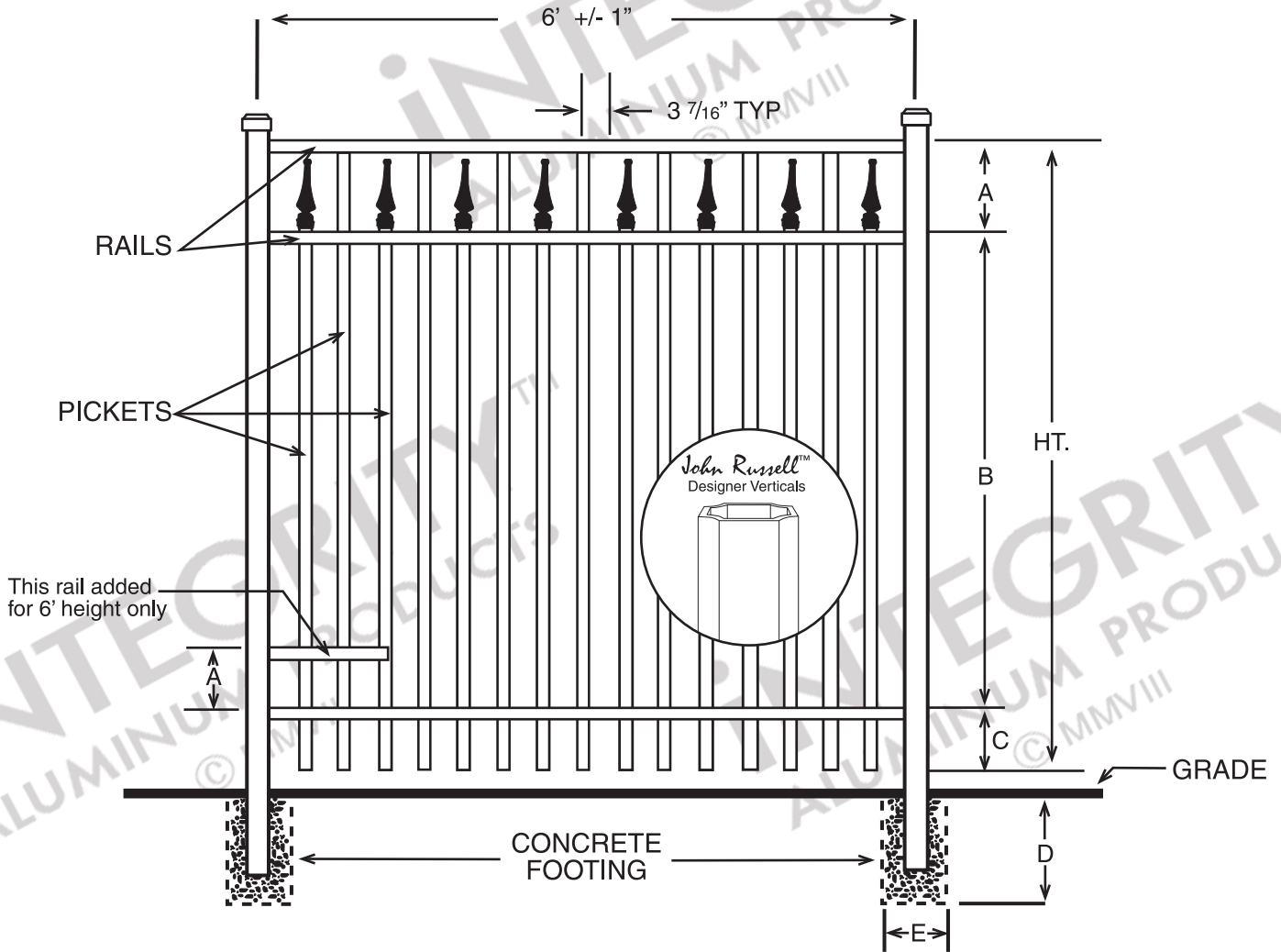
| | |
|---|--|
| Posts Available | 2" x 2" x .060 Wall 2" x 2" x .080 Wall 2" x 2" x .125 Wall 2½" X 2½" X .100 Wall |
| Horizontal Rails Side Walls Top Walls | 1⅛" x 1" .082" .062" |
| Pickets Picket Spacing | ⅝" x ⅝" x .050 Wall 1⅝" |
| Heights Available | 3, 3½, 4, 5 & 6 Ft. |



INTEGRITY™

ALUMINUM PRODUCTS

800.762.8876

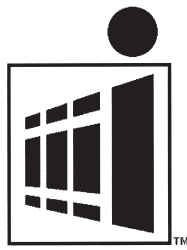


EXCELSIOR™

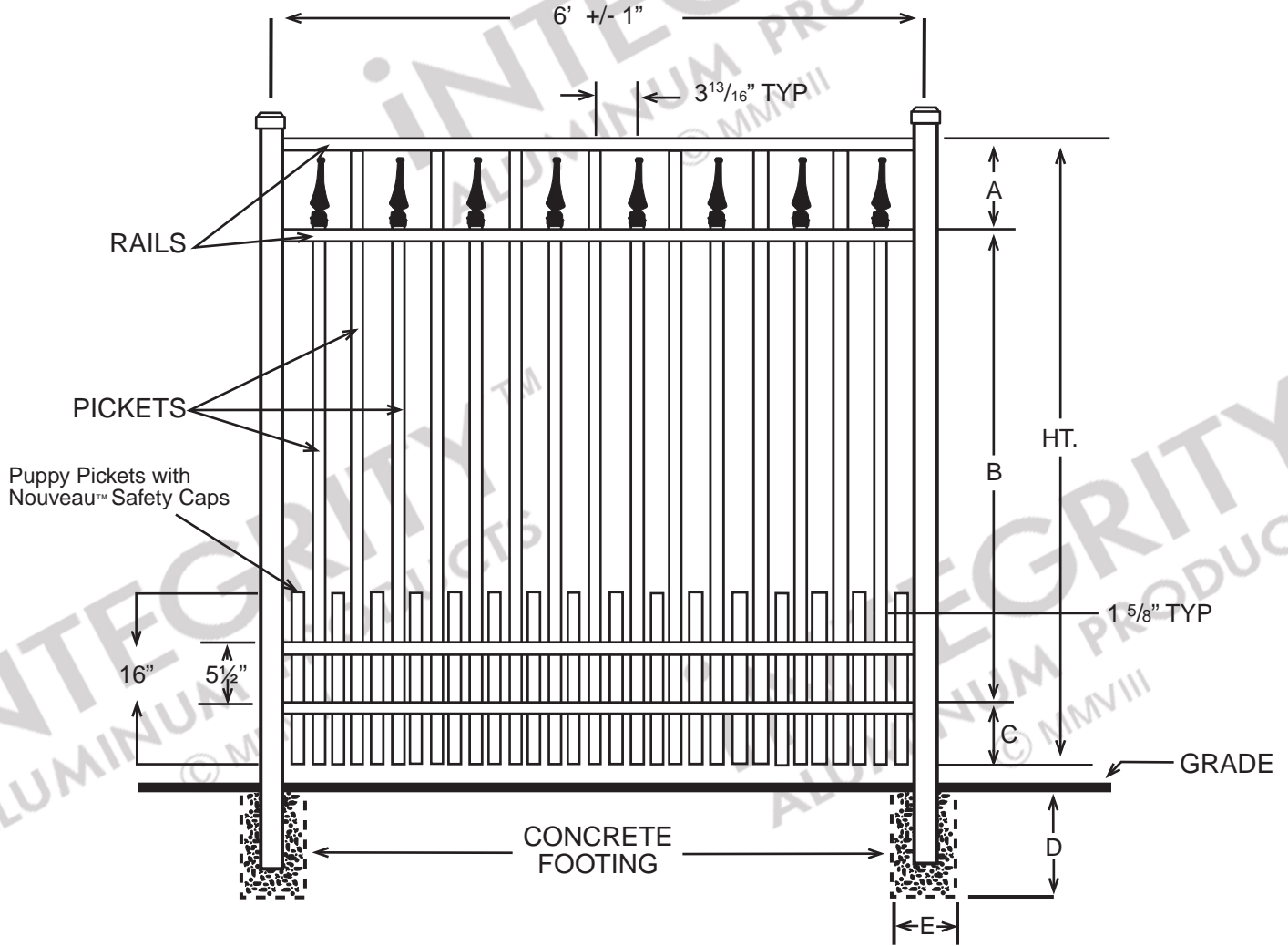
John Russell™ Designer Verticals

| DIMENSIONS | | | | | |
|----------------------------|----|------|-----|----------------|---|
| HT | A | B | C | D | E |
| 3' | 6" | 24½" | 5½" | Per Local Code | |
| 3½' | 6" | 30½" | 5½" | Per Local Code | |
| 4' | 6" | 36½" | 5½" | Per Local Code | |
| 5' | 6" | 48½" | 5½" | Per Local Code | |
| 6' | 6" | 60½" | 5½" | Per Local Code | |
| All Dimensions Are Nominal | | | | | |

| SPECIFICATIONS DESIGNER CLASSIC | |
|---|--|
| Posts Available | 2" x 2" x .060 Wall 2" x 2" x .080 Wall 2" x 2" x .125 Wall 2½" X 2½" X .100 Wall |
| Horizontal Rails Side Walls Top Walls | 1⅛" x 1" .082" .062" |
| Pickets Picket Spacing | 1" x 5⁄8" x .062 Wall 3⅞" |
| Heights Available | 3, 3½, 4, 5 & 6 Ft. |



INTEGRITY™
ALUMINUM PRODUCTS
800.762.8876



EXCELSIOR™ CLASSIC w/ PUPPY PICKETS

| DIMENSIONS | | | | | |
|----------------------------|----|------|-----|----------------|---|
| HT | A | B | C | D | E |
| 3' | 6" | 24½" | 5½" | Per Local Code | |
| 3½' | 6" | 30½" | 5½" | Per Local Code | |
| 4' | 6" | 36½" | 5½" | Per Local Code | |
| 5' | 6" | 48½" | 5½" | Per Local Code | |
| 6' | 6" | 60½" | 5½" | Per Local Code | |
| All Dimensions Are Nominal | | | | | |

SPECIFICATIONS RESIDENTIAL

| | |
|---|--|
| Posts Available | 2" x 2" x .060 Wall 2" x 2" x .080 Wall 2" x 2" x .125 Wall 2½" X 2½" X .100 Wall |
| Horizontal Rails Side Walls Top Walls | 1⅛" x 1" .082" .062" |
| Pickets Picket Spacing | ⅝" x ⅝" x .050 Wall 3⅓/16" and 1⅝" |
| Heights Available | 3, 3½, 4, 5 & 6 Ft. |