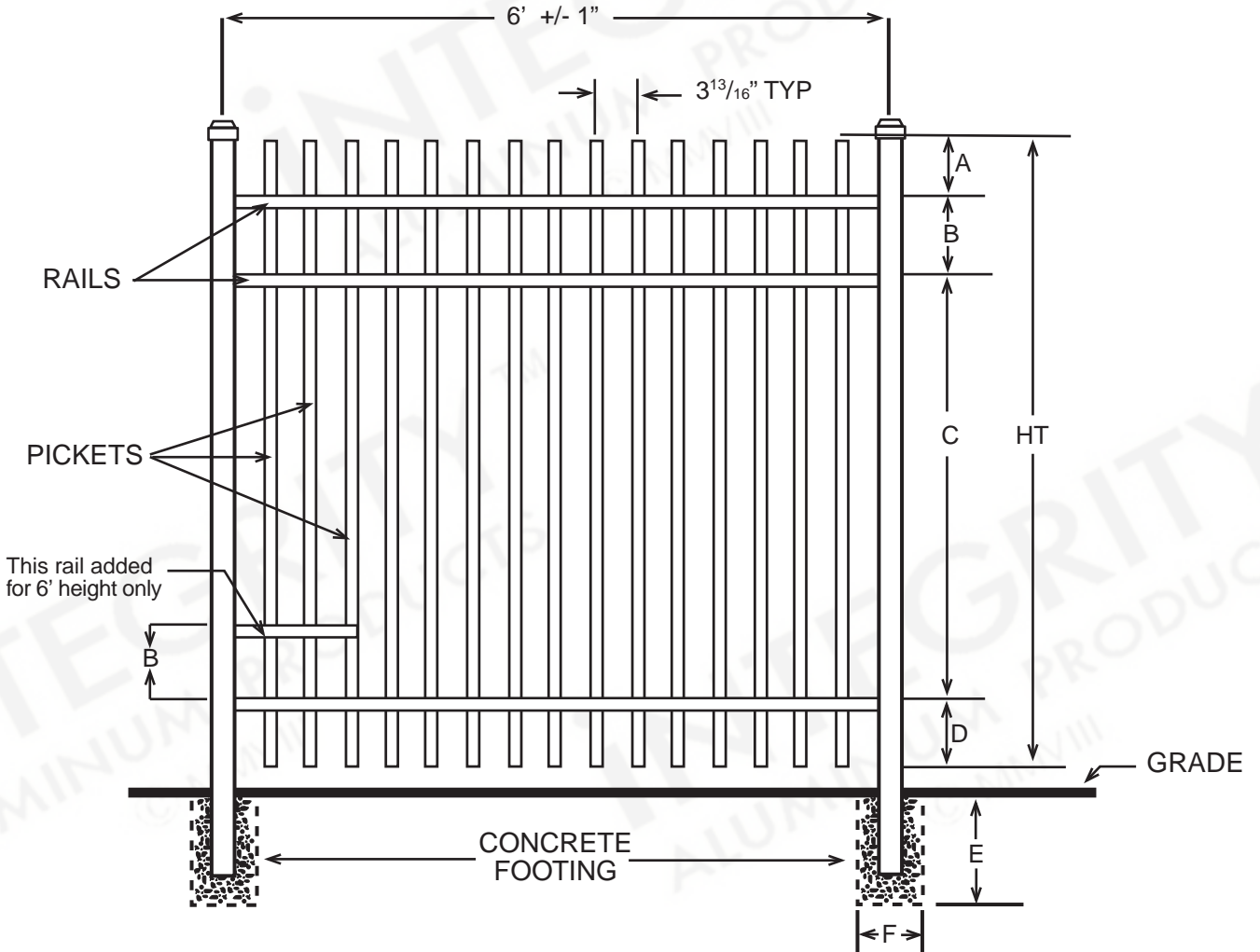


INTEGRITY™

ALUMINUM PRODUCTS

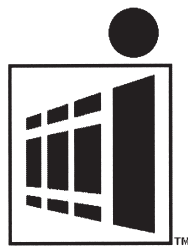
800.762.8876



BELLA VISTA™ CLASSIC NOUVEAU™

DIMENSIONS						
HT	A	B	C	D	E	F
3'	4½"	6"	20"	5½"	Per Local Code	
3½'	4½"	6"	26"	5½"	Per Local Code	
4'	4½"	6"	32"	5½"	Per Local Code	
5'	4½"	6"	44"	5½"	Per Local Code	
6'	4½"	6"	56"	5½"	Per Local Code	
ALL DIMENSIONS ARE NOMINAL						

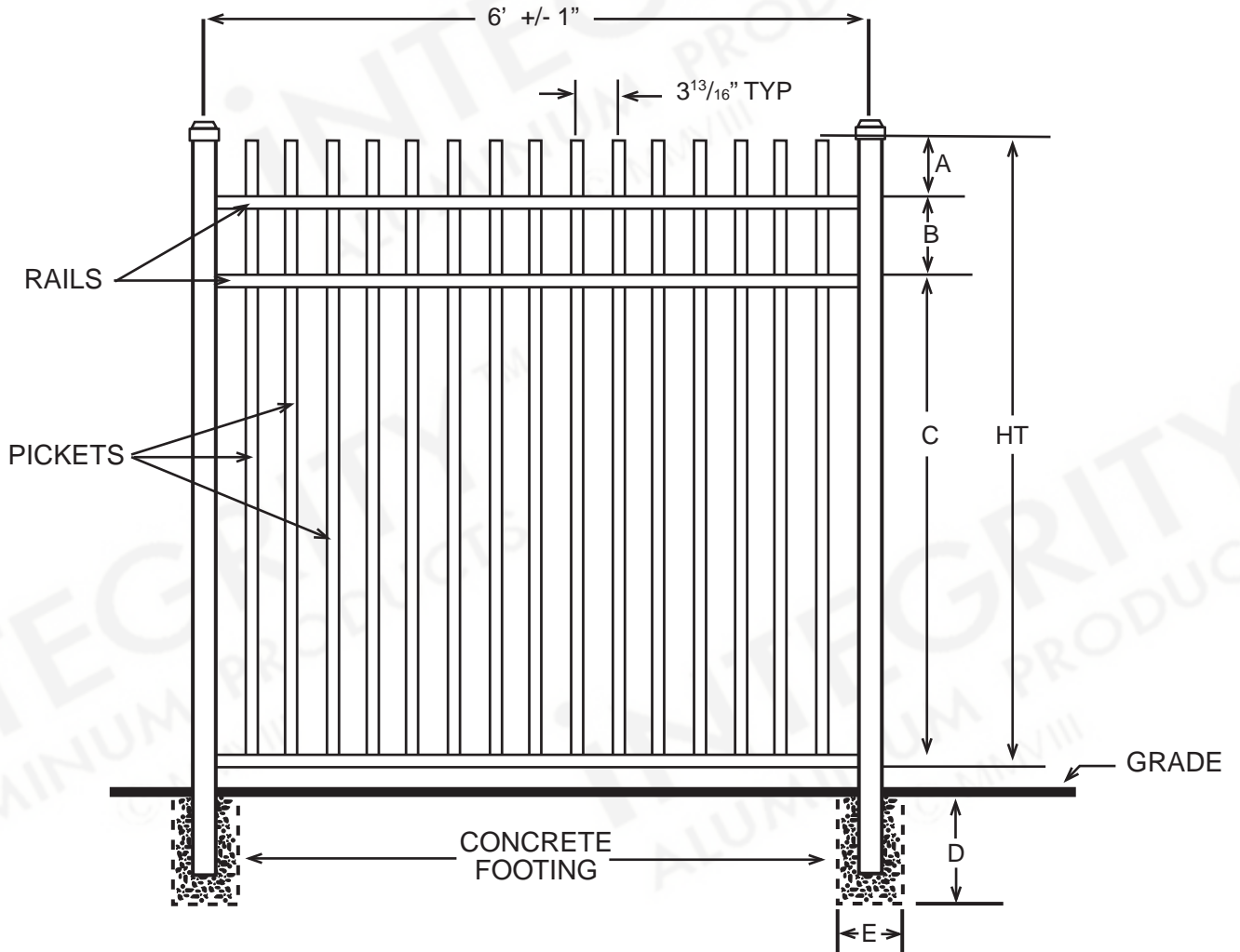
SPECIFICATIONS RESIDENTIAL	
Posts Available	2" x 2" x .060 Wall 2" x 2" x .080 Wall 2" x 2" x .125 Wall 2½" X 2½" X .100 Wall
Horizontal Rails Side Walls Top Walls	1⅛" x 1" .082" .062"
Pickets Picket Spacing	⅝" x ⅝" x .050 Wall 3 ¹³ / ₁₆ "
Heights Available	3, 3½, 4, 5 & 6 Ft.



INTEGRITY™

ALUMINUM PRODUCTS

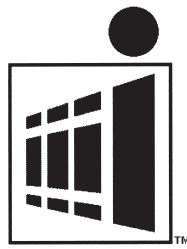
800.762.8876



BELLA VISTA™ RESORT NOUVEAU™

DIMENSIONS					
HT	A	B	C	D	E
3'	4½"	6"	25½"	Per Local Code	
3½'	4½"	6"	31½"	Per Local Code	
4'	4½"	6"	37½"	Per Local Code	
5'	4½"	6"	49½"	Per Local Code	
All Dimensions Are Nominal					

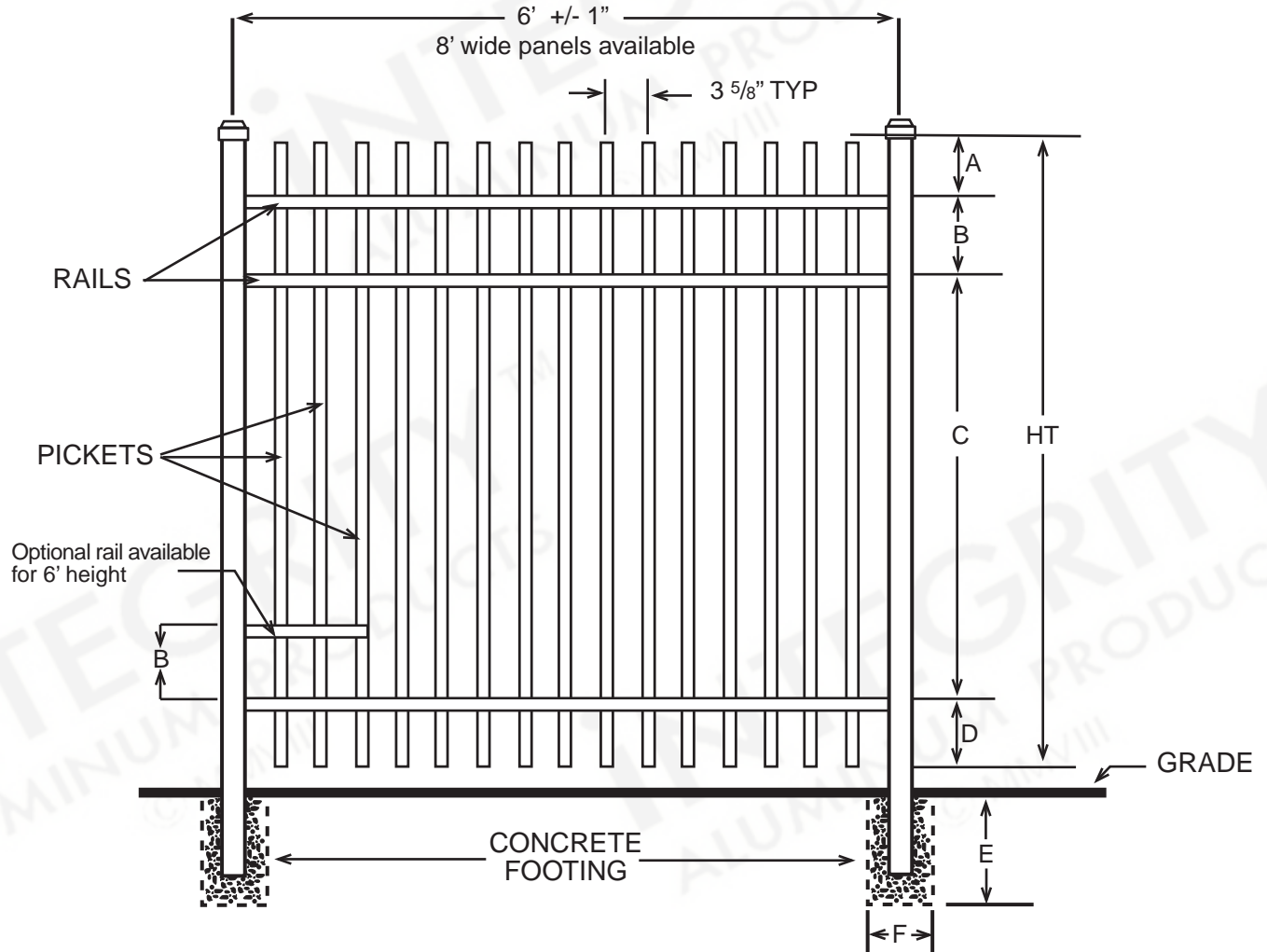
SPECIFICATIONS RESIDENTIAL	
Posts Available	2" x 2" x .060 Wall 2" x 2" x .080 Wall 2" x 2" x .125 Wall 2½" X 2½" X .100 Wall
Horizontal Rails Side Walls Top Walls	1⅛" x 1" .082" .062"
Pickets Picket Spacing	⅝" x ⅝" x .050 Wall 3 ¹³ / ₁₆ "
Heights Available	3, 3½, 4 & 5 Ft.



INTEGRITY™

ALUMINUM PRODUCTS

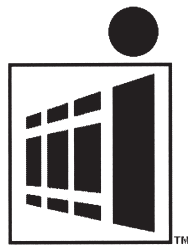
800.762.8876



BELLA VISTA™ PREMIER NOUVEAU™

DIMENSIONS						
HT	A	B	C	D	E	F
3'	4½"	6"	20"	5½"	Per Local Code	
3½'	4½"	6"	26"	5½"	Per Local Code	
4'	4½"	6"	32"	5½"	Per Local Code	
5'	4½"	6"	44"	5½"	Per Local Code	
6'	4½"	6"	56"	5½"	Per Local Code	
All Dimensions Are Nominal						

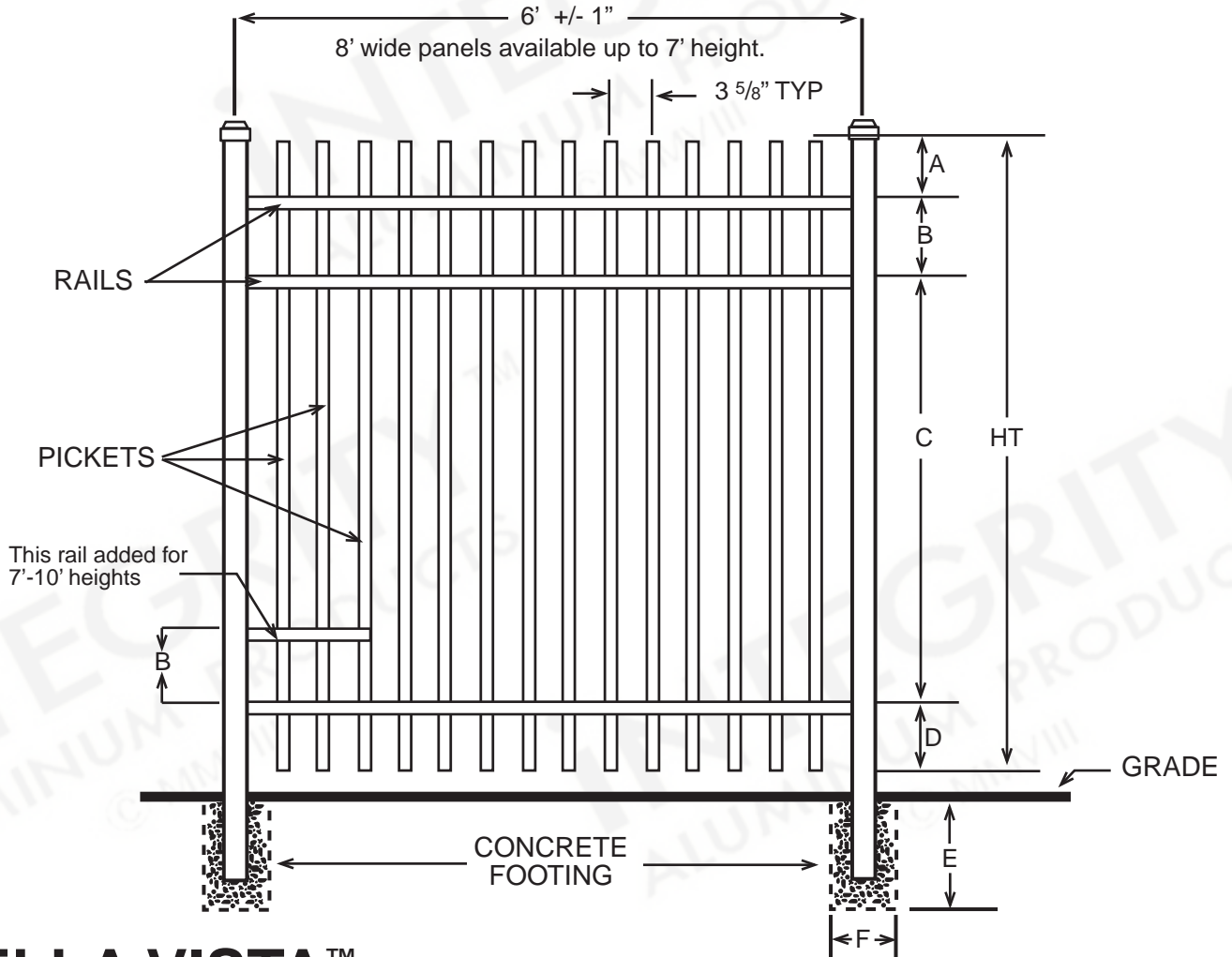
SPECIFICATIONS COMMERCIAL PREMIER	
Posts Available	2" x 2" x .080 Wall 2" x 2" x .125 Wall 2½" X 2½" X .100 Wall 3" x 3" x .125 Wall
Horizontal Rails Side Walls Top Walls	1⅜" x 1¼" .088" .065"
Pickets Picket Spacing	¾" x ¾" x .055 Wall 3⅝"
Heights Available	3, 3½, 4, 5 & 6 Ft.
Widths Available	6 & 8 Ft.



INTEGRITY™

ALUMINUM PRODUCTS

800.762.8876



BELLA VISTA™ ULTIMATE NOUVEAU™

DIMENSIONS						
HT	A	B	C	D	E	F
3'	6 ⁵ / ₈ "	7 ⁵ / ₈ "	14 ³ / ₄ "	7"	Per Local Code	
4'	6 ⁵ / ₈ "	7 ⁵ / ₈ "	26 ³ / ₄ "	7"	Per Local Code	
5'	6 ⁵ / ₈ "	7 ⁵ / ₈ "	38 ³ / ₄ "	7"	Per Local Code	
6'	6 ⁵ / ₈ "	7 ⁵ / ₈ "	50 ³ / ₄ "	7"	Per Local Code	
7'	9 ⁵ / ₈ "	10 ⁵ / ₈ "	53 ³ / ₄ "	10"	Per Local Code	
8'	9 ⁵ / ₈ "	10 ⁵ / ₈ "	65 ³ / ₄ "	10"	Per Local Code	
9'	12 ⁵ / ₈ "	13 ⁵ / ₈ "	68 ³ / ₄ "	13"	Per Local Code	
10'	12 ⁵ / ₈ "	13 ⁵ / ₈ "	80 ³ / ₄ "	13"	Per Local Code	
All Dimensions Are Nominal						

SPECIFICATIONS COMMERCIAL ULTIMATE	
Posts Available	2½" x 2½" x .100 Wall 3" x 3" x .125 Wall 4" x 4" x .125 Wall
Horizontal Rails Side Walls Top Walls	1½" x 1½" .100" .070"
Pickets Picket Spacing	1" x 1" x .062 Wall 3 ⁵ / ₈ "
Heights Available	3, 4, 5, 6, 7, 8, 9, & 10 Ft.
Widths Available	6 & 8 Ft.