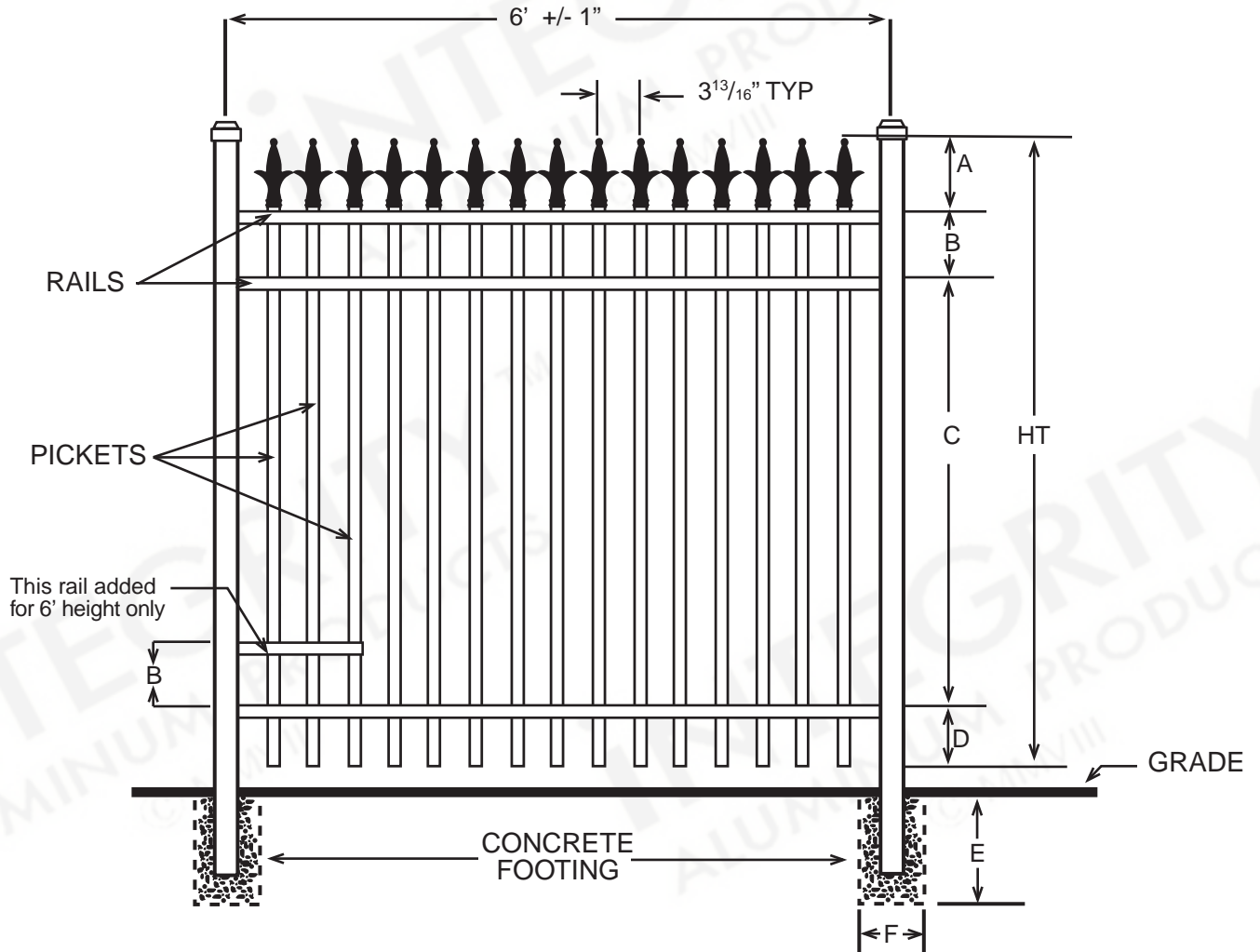


INTEGRITY™

ALUMINUM PRODUCTS

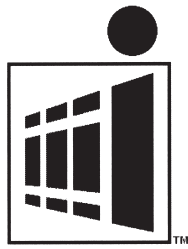
800.762.8876



CHARLEMAGNE™ CLASSIC

DIMENSIONS						
HT	A	B	C	D	E	F
3'	4 1/2"	6"	20"	5 1/2"	Per Local Code	
3 1/2'	4 1/2"	6"	26"	5 1/2"	Per Local Code	
4'	4 1/2"	6"	32"	5 1/2"	Per Local Code	
5'	4 1/2"	6"	44"	5 1/2"	Per Local Code	
6'	4 1/2"	6"	56"	5 1/2"	Per Local Code	
All Dimensions Are Nominal						

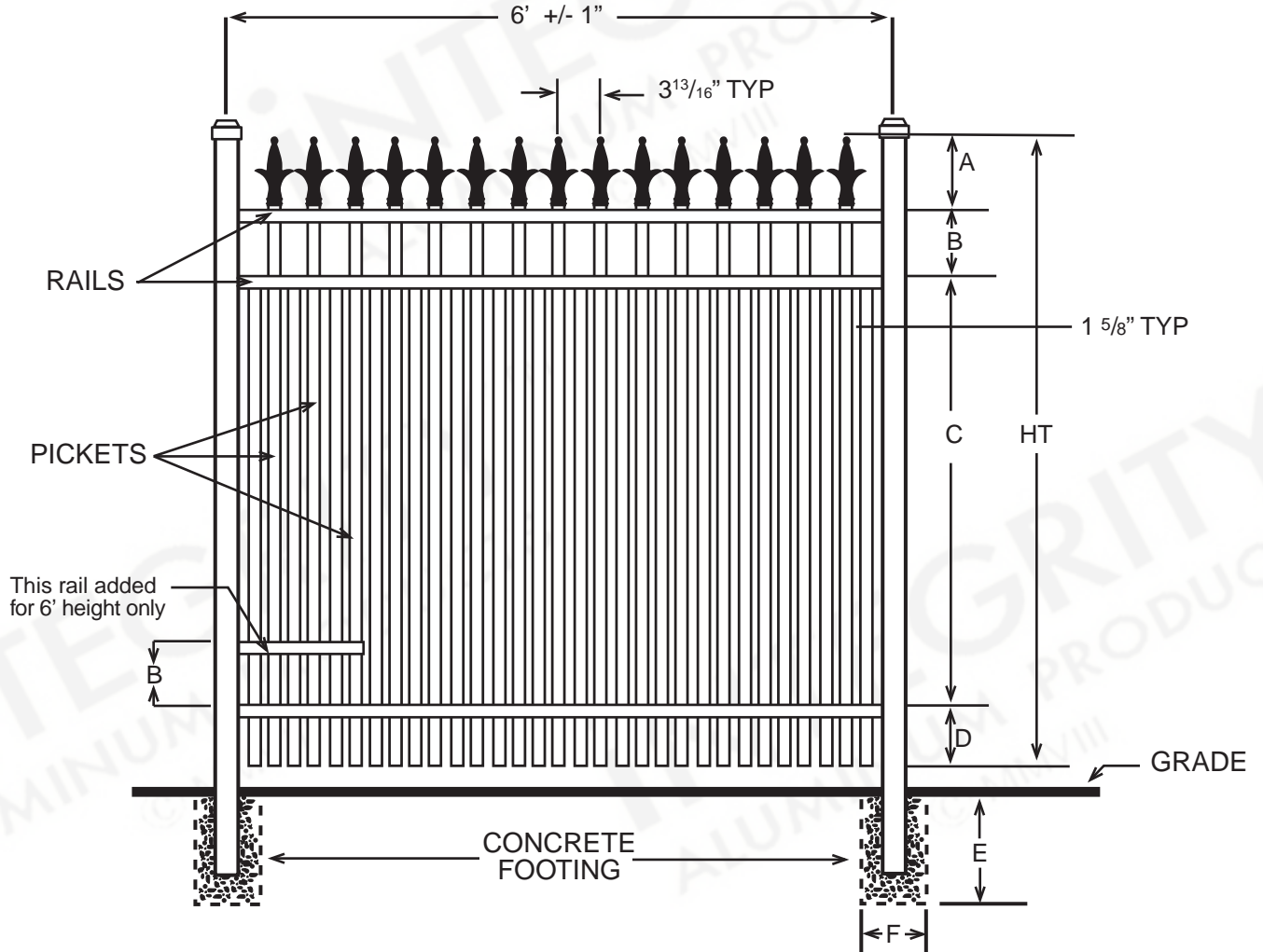
SPECIFICATIONS RESIDENTIAL	
Posts Available	2" x 2" x .060 Wall 2" x 2" x .080 Wall 2" x 2" x .125 Wall 2 1/2" X 2 1/2" X .100 Wall
Horizontal Rails Side Walls Top Walls	1 1/8" x 1" .082" .062"
Pickets Picket Spacing	5/8" x 5/8" x .050 Wall 3 13/16"
Heights Available	3, 3 1/2, 4, 5 & 6 Ft.



INTEGRITY™

ALUMINUM PRODUCTS

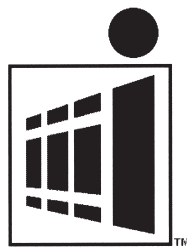
800.762.8876



CHARLEMAGNE™ CLASSIC EXTREME

DIMENSIONS						
HT	A	B	C	D	E	F
3'	4½"	6"	20"	5½"	Per Local Code	
3½'	4½"	6"	26"	5½"	Per Local Code	
4'	4½"	6"	32"	5½"	Per Local Code	
5'	4½"	6"	44"	5½"	Per Local Code	
6'	4½"	6"	56"	5½"	Per Local Code	
All Dimensions Are Nominal						

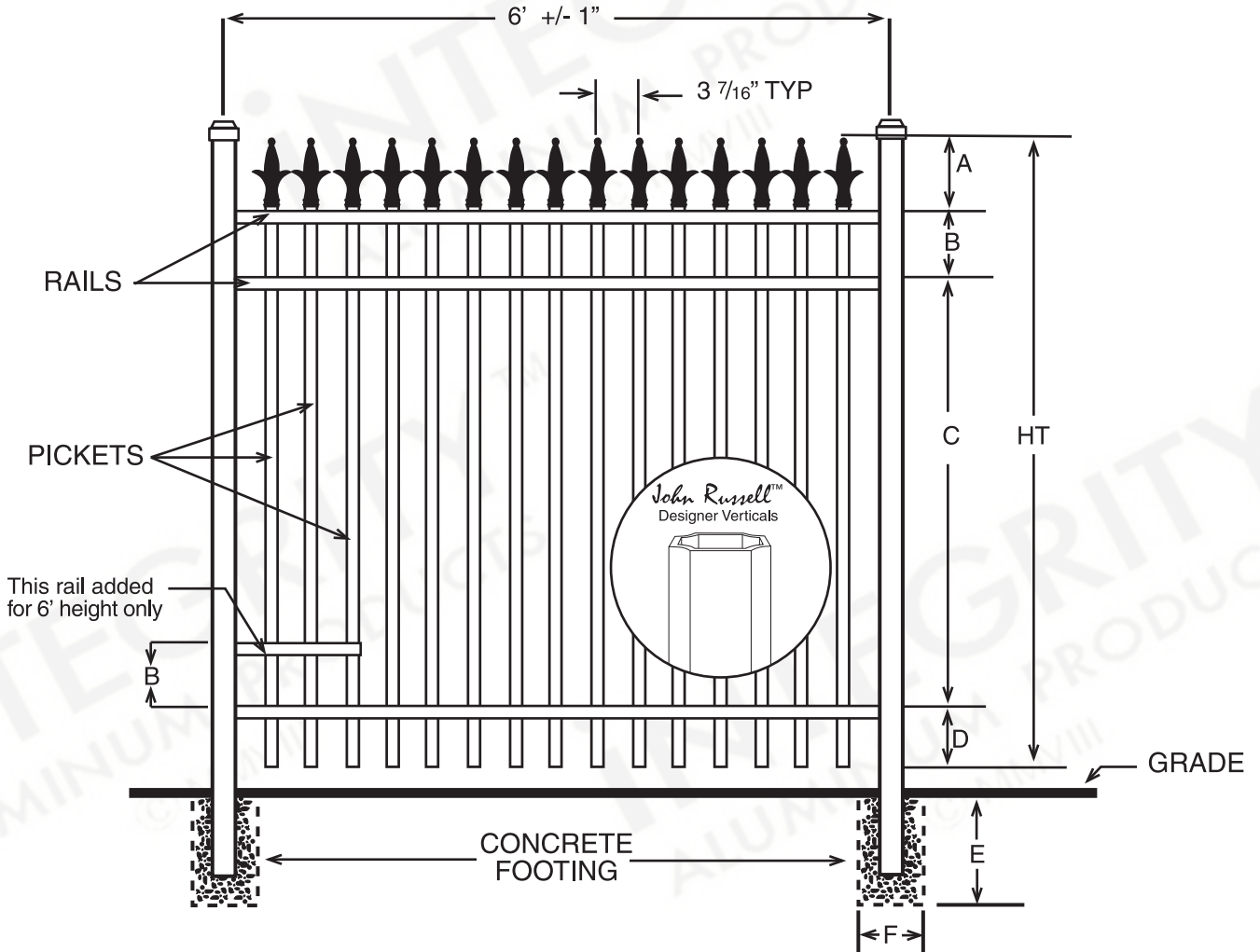
SPECIFICATIONS RESIDENTIAL	
Posts Available	2" x 2" x .060 Wall 2" x 2" x .080 Wall 2" x 2" x .125 Wall 2½" X 2½" X .100 Wall
Horizontal Rails Side Walls Top Walls	1⅛" x 1" .082" .062"
Pickets Picket Spacing	⅝" x ⅝" x .050 Wall 1⅝"
Heights Available	3, 3½, 4, 5 & 6 Ft.



INTEGRITY™

ALUMINUM PRODUCTS

800.762.8876

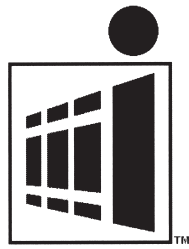


CHARLEMAGNE™

John Russell™ Designer Verticals

DIMENSIONS						
HT	A	B	C	D	E	F
3'	4½"	6"	20"	5½"	Per Local Code	
3½'	4½"	6"	26"	5½"	Per Local Code	
4'	4½"	6"	32"	5½"	Per Local Code	
5'	4½"	6"	44"	5½"	Per Local Code	
6'	4½"	6"	56"	5½"	Per Local Code	
All Dimensions Are Nominol						

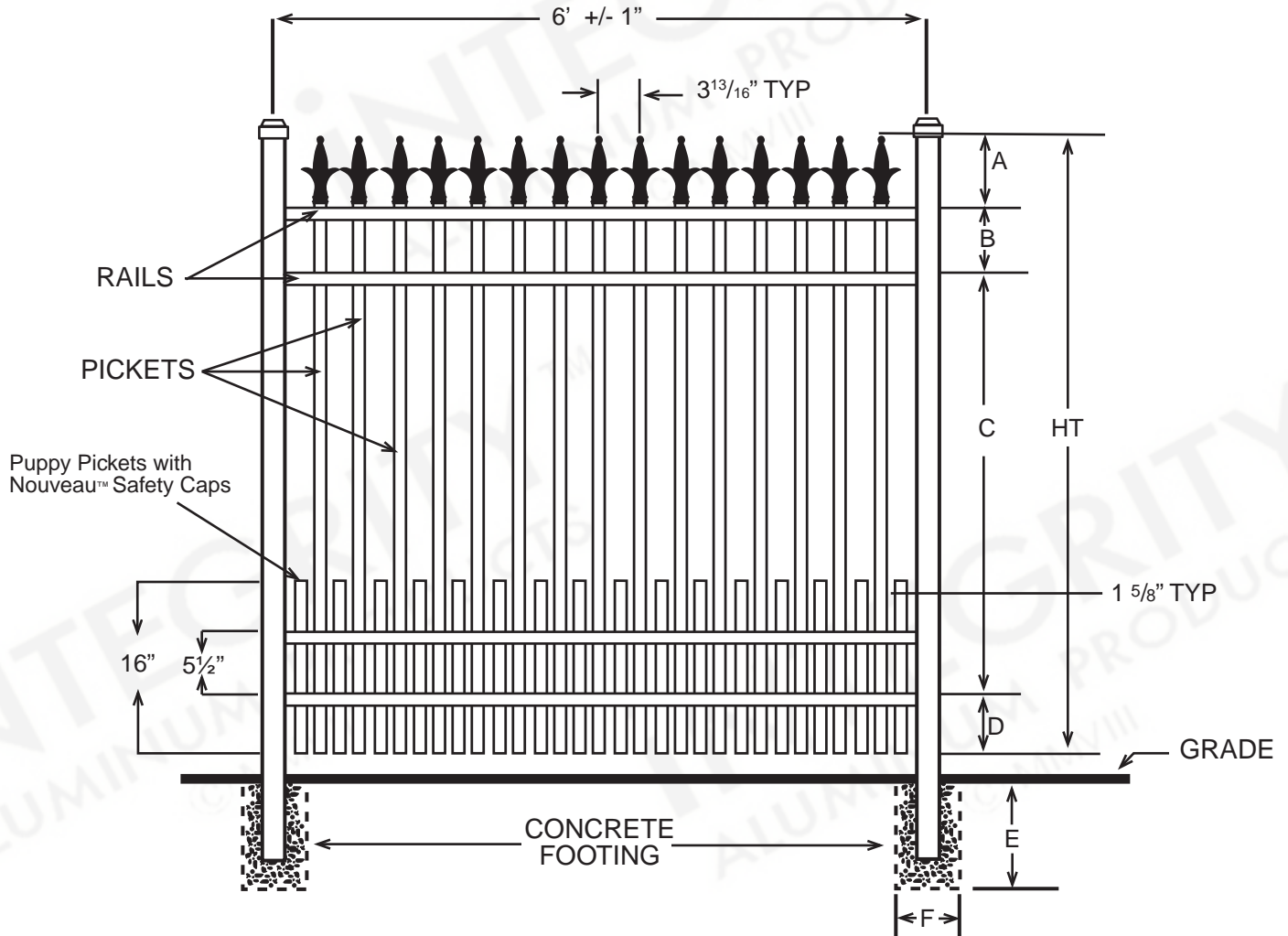
SPECIFICATIONS DESIGNER CLASSIC	
Posts Available	2" x 2" x .060 Wall 2" x 2" x .080 Wall 2" x 2" x .125 Wall 2½" X 2½" X .100 Wall
Horizontal Rails Side Walls Top Walls	1⅛" x 1" .082" .062"
Pickets Picket Spacing	1" x 5⁄8" x .062 Wall 3⁄16"
Heights Available	3, 3½, 4, 5 & 6 Ft.



INTEGRITY™

ALUMINUM PRODUCTS

800.762.8876



CHARLEMAGNE™ CLASSIC w/ PUPPY PICKETS

DIMENSIONS						
HT	A	B	C	D	E	F
3'	4 1/2"	6"	20"	5 1/2"	Per Local Code	
3 1/2'	4 1/2"	6"	26"	5 1/2"	Per Local Code	
4'	4 1/2"	6"	32"	5 1/2"	Per Local Code	
5'	4 1/2"	6"	44"	5 1/2"	Per Local Code	
6'	4 1/2"	6"	56"	5 1/2"	Per Local Code	
All Dimensions Are Nominal						

SPECIFICATIONS RESIDENTIAL	
Posts Available	2" x 2" x .060 Wall 2" x 2" x .080 Wall 2" x 2" x .125 Wall 2 1/2" X 2 1/2" X .100 Wall
Horizontal Rails Side Walls Top Walls	1 1/8" x 1" .082" .062"
Pickets Picket Spacing	5/8" x 5/8" x .050 Wall 3 13/16" and 1 5/8"
Heights Available	3, 3 1/2, 4, 5 & 6 Ft.